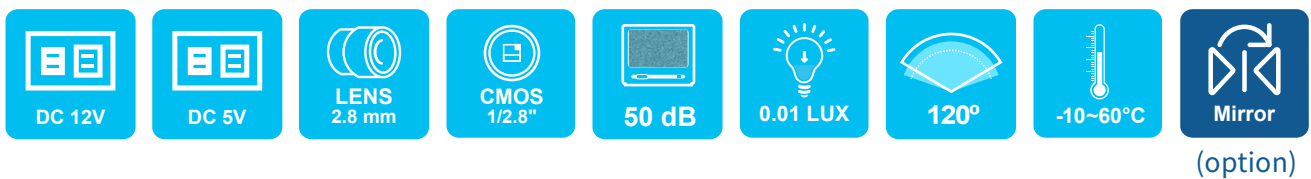


AVM-S350C

AVM-S350C-L 1080P

Vehicle Camera



AVM-S350C



AVM-S350C-L



- > 1/2.8" CMOS Sensor
- > 2.8mm Lens
- > Suitable for trucks and buses monitoring
- > Suitable installed on windshield without waterproof
- > Video adjustable for mirroring if in need (Optional)

SPECIFICATIONS

Video System- NTSC/PAL

Pick Up- 1/2.8" SONY CMOS Sensor

Number of Pixel- 1920 (H) × 1080 (V)

Effective Pixels- 2.0 Mega Pixel

Resolution- 1080P

Sync System- Internal

Scanning system- 2 : 1 Interlace

Sensitivity- 0.01Lux

S/N Ratio- ≥50dB

Auto Gain Control- Auto

Mirroring- Optional(BV)

White Balance- Auto

Electronical Shutter- Auto: 1/30NTSC(1/25 PAL)s TO 1/50,000s

Video Output- 1 Vp-p Composite Video Output, 75 Ohms

Power Supply- DC 12.0V/DC5.0V

Power Consumption- 80mA/200mA

Lens- 2.8mm

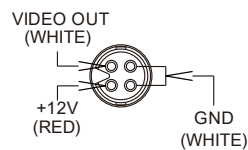
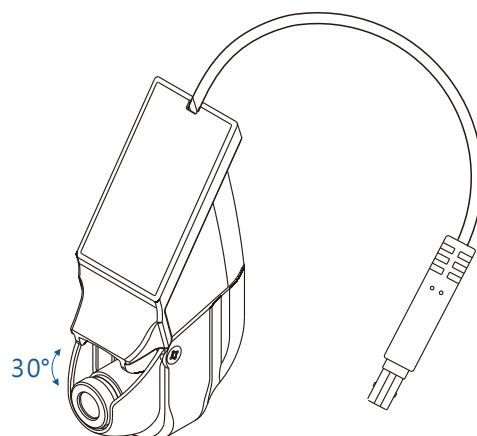
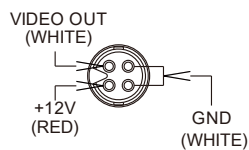
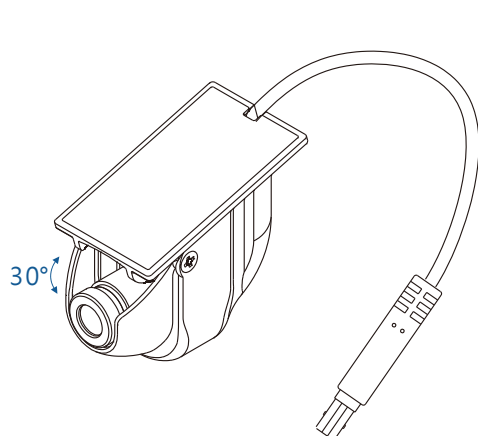
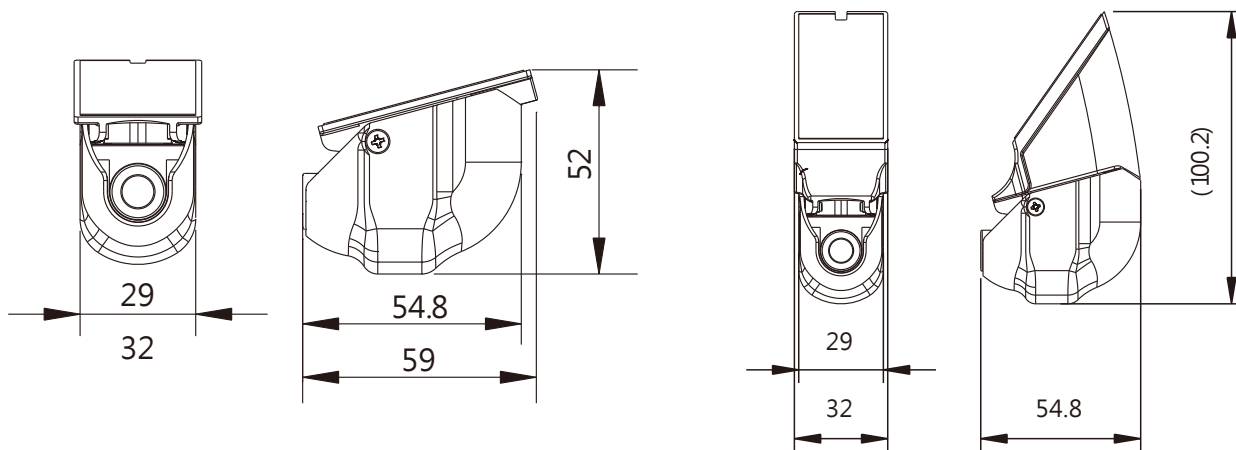
View Angle- H:120°

Operating Temperature- - 10° C ~ + 60°C

Dimensions (HxWxD)- 32 × 52 × 59 mm / 32 x 100.2 x 54.8mm

Version updating is not going to inform, please check the on-going updating information

DIMENSION



► S-TYPE

Suitable for slanting wind shield of vehicles, eg. Taxi cab, Police car, Van, Sedan, MPV, SUV, SUT, Recreation Vehicle

► L-TYPE

Suitable for upright wind shield of vehicles, eg. Truck, Bus, Pickup, Trailer

Version updating is not going to inform, please check the on-going updating information

Distributed BY

Head Office: No. 30, Lane 726, Jinma Rd, Sec. 3, Chang Hua City, Taiwan 500. TEL: 886-4-751-2881

FUHO TECHNOLOGY CO., LTD.

www.vacron.com