

Motorbike Video Recorder

1CH H.264 Full HD

Surveillance



1-Channel Mobile Video Recorder



OBD(optional)



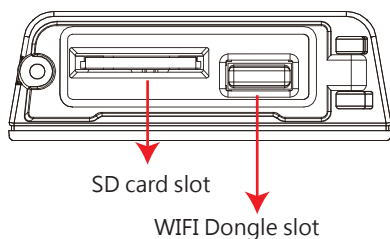
Full HD Camera



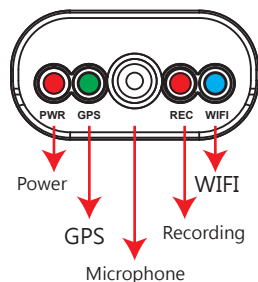
H12A08FH01

Product appearance

■ DVR Host



■ OBD (optional)



Cable Installation



■ DVR Cables

- (1) Power Connector
 - (2) Camera 1 connector
 - (3) Multi-functional OBD display connector
- Note : Please use 1080P camera



■ Power Cable

- (a) (RED): Connect to positive electrode
- (b) (Black): Connect to negative electrode

Recording & Stop Recording

■ System initialization/Recording

System initializes within 30 seconds when power is on. PWR red light on when system is rebooting. System starts to recording when REC red light is flashing.

■ Shut off / Stop recording

Device offer prolong 3 seconds recording after power off to ensure date is well stored, user can take out the SD card when indication is off.

Packaging

Please review the package first. The packaging material can resist impact during delivery. Please remove the PE bag to make sure no damage on the housing. Finally make sure the screws are not loose.

- Accessories
 1. DVR Host
 2. Full HD camera
 3. WiFi dongle
 4. Camera cable 2.5meter
 5. Power cable
- Optional Accessory:
 1. OBD
 2. SD card, 8/16/32G Class10 or above

⚠ Safety Precautions

•Installation Precautions

1. Make sure power connections clear enough to you before installation.
2. System installation is required professional installers and ventilation space.
3. Please use recommended and genuine storage device.
4. Please contact local dealers in case of service requirement.

•In Use Precautions

1. Please keep the inner components off any solid or liquid.
2. Please do not disassemble the equipment for warranty issue. Please contact local dealers or the manufacturer for prompt service.
3. Please remove the battery if remote control keeps idle for quite a long while.
4. The equipment best connects with ground wire in case of outdoor cameras connection or alarm I/O connection. This is to keep the DVR away from static electricity damage.

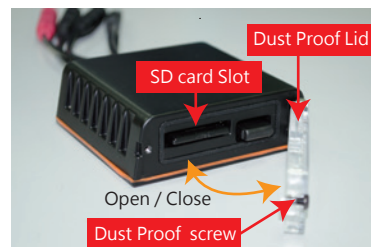
•Surrounding

1. Please have the DVR under recommended temperature away from the sun and heating source.
2. Please keep this equipment away from humid surrounding.
3. Please keep this equipment away from smoke and dust.
4. Please do not drop the equipment.
5. Please keep this equipment in ventilation space.
6. Please supply rated voltage and Amp. To the equipment.
7. Please keep flammable objects away from the equipment.

■ OBD Light Indication:

- (A) PWR(Red) : Power indication
- (B) GPS(Green) : Flashing mean GPS 3D positioning searching.
Consistent green light on means 3D positioned successfully.
- (C) Microphone : Audio input
- (D) REC(RED) :
Recording : Light flashing once per second.
Unable to read SD card: Light flashing once every 15 seconds.
- (E) WIFI(Blue) : Consistent blue means WIFI Dongle connected ·
flashing blue means WIFI Dongle is not connected.

SD Card Installation



- (1). Counterclockwise to unscrew the screw of dustproof lid to install/take off the SD card.
- (2). Please do SD card format/restoration with attached player.

⚠ Attention

1. Suggest to use class 10, 8GB above.
2. Before using the memory disk, please format the disk first by using the software player in the CD-ROM. If not, device will automatically erase all data in the memory disk before recording.
3. To ensure recording quality, please do not use adapter card with Micro SD card. Doing so may lead to bad connection due to shock and vibration.
4. All memory disks have limited lifespan. Please regularly watch videos on PC and check the memory disk to ensure proper functioning.
5. Collision and vibration may cause SD card defective and result intermittent recording, please check data and backup file periodically.
6. New SD card will be format by DVR, it will take about 2mins, before start recording.
7. SD card 8G · 16G · 32G or 64G · after format by DVR · there will be only 80.5MB can show on PC by Windows system, rest of those space can only showed by Vacron Player. To restore SD card again, please use the Vacron software and follow the steps. ·
8. When even happened, please tear off the SD card and lock it, to avoid overwrite.

Installation on Motorbike (Example Only)



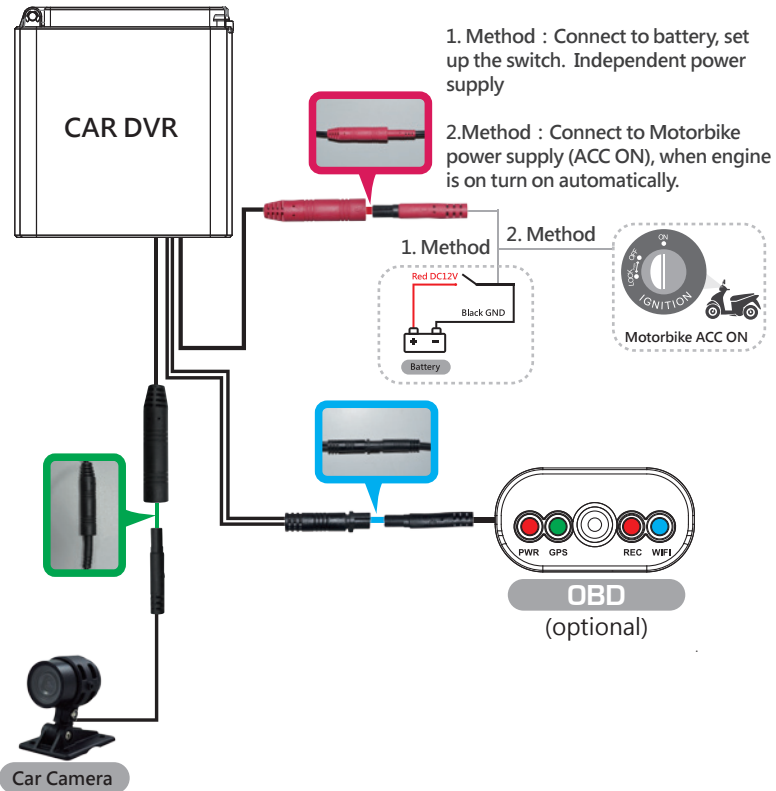
Installation Notes

- Please install this device with the help of professional technician to avoid damaging your vehicle.
- For installation by none-technician, please use tapes instead of boring tools to avoid damaging the electrical and gasoline system.
- For safety, switch off ignition before installation, and please keep away from gasoline pipeline and tank.
- Before inserting wires through holes, temporarily wrap the terminal with tape to prevent bad connection from accumulated dirt or debris.
- Tightly seal all electrical connection with tape to prevent loose connection or leak leading to the connection.
- Connect the power behind the key ignition and fuse (not directly to the vehicle battery) to avoid depleting the battery.
- The device should be fixed to the vehicle. Tumbling inside the storage trunk will damage the device.
- GPS positioning accuracy may be affected by the installation position, sun-screen or weather condition.

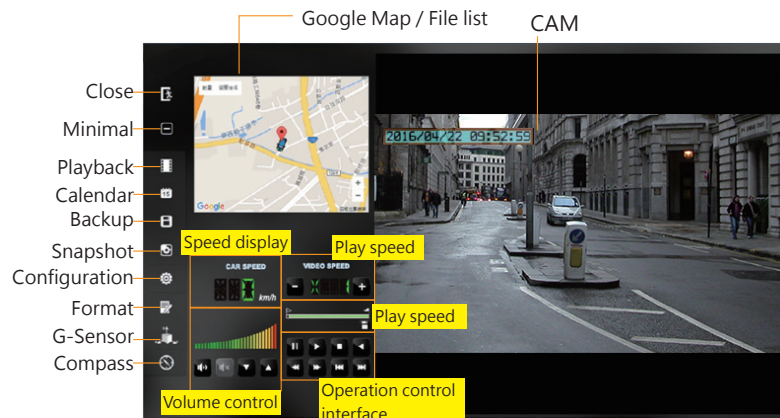
Attention

- DVR & OBS (Optional) are waterproof, but it cannot be soaked in water. Suggest install DVR in truck and OBS at the place where is easy to see.
- Some of cars might have electromagnetic interference problems, might effected DVR 's recording and Video image.
- Wipe and clean the connector by alcohol, avoid any single error or video lost.
- Not all the SD card can be read by DVR, if the SD card cannot be read after format / restore. Please change other brand' s SD card and try it again.
- DVR will be power consumption when standby, therefore please take off power supply if not going to use DVR for long period. And date & time need adjustment when it is connect again.
- If the SD card is not format by Vacron Player, DVR will automatically clean all memory inside also format it. Some DVR might not recording if the SD card is not been format.
- Software updates and renew, there will not be further notice.
- All memory disk & SD card have limited lifespan. Please regularly watch videos on PC and check memory disk to ensure proper function.
- Through huge impact or shock, might damage disk or SD' s memory. Therefore suggest backup data regularly.
- When even happened, pleas teak off the SD card and lock it, to avoid overwrite. Before install the camera, for safety please make sure power switch is off

DVR Installation Diagram



PC player



WiFi Connection



- Visit Google Play store and search for " VacronPlayer " and download.
- Turn on WLAN name 「 SSID 」 · password 「 12345678 」 ·
- Run APP " VacronPlayer " , click " Device list " then " Add " , key in a preferred device name.
- Click on device name and choose " All Channel " to see LIVE VIEW
- Function: Live view image shot, Live recording, Video playback, Video backup.

APP Player

Attention

- There might be video transmission delay due to wireless transmission.
- Remote playback video file only available for SD card record without overwriting
- Please remember to restore WiFi setting to external network after using Vacron Player.
- It is recommended to check regularly with the use of the Laptop player to play the video. Make sure the video system maintain normal operations if OBD is not installed.