

MOBILE SURVEILLANCE

2CH H.264 Full HD 1080P

2CH Full HD DVR / Camera



Full HD 1080P DVR

Full HD 1080P Camera*2



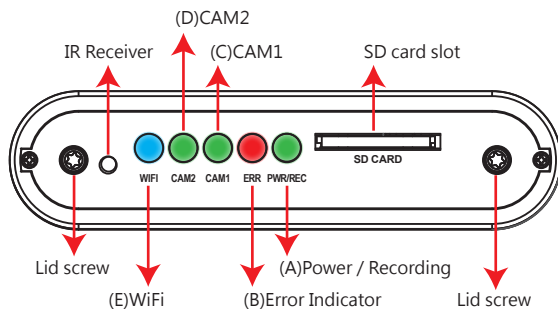
Multi-functional OBD display



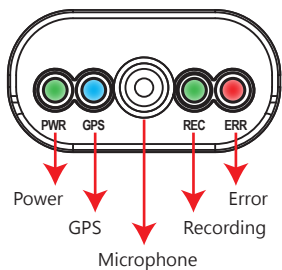
H12AE31B01

Product appearance

■ DVR



■ Multi-functional OBD display



■ Lights indicate:

- PWR/REC : **GREEN** on means device POWER is on, Flashing resembles recording.
- ERR : **RED** on means abnormal, please check possible reason such as camera signal, HUD display, SD card ...etc.
- CAM 1 : **GREEN** means in connection.
- CAM 2 : **GREEN** means in connection.
- WiFi : **BLUE** means the WiFi dongle has been detected.

Cable Installation

• Cables



- (1) Power connector
- (2) Multi-functional OBD display connector
- (3) WiFi dongle slot
- (4) Video out
- (5) Camera 1 connector
- (6) Camera 2 connector

• Power cable



- (a) Power connection: reception
- (b) Alarm recording (Grey cable): Pre-reserved function
- (c) Power cable (Red): connect to power positive connector.
- (d) ACC activation cable (Brown): connect to motorcycle power switch (+).
- (e) Ground (Black): connect to power supply (-).

Packaging

Please review the package first. The packaging material can resist impact during delivery. Please remove the PE bag to make sure no damage on the housing. Finally make sure the screws are not loose.

■ Standard set

- Power cable
- Multi-functional OBD display (built in GPS and microphone)
- USB WiFi Dongle
- 2 pcs camera
- 2 pcs camera cable
- Product CD
- Velcro tape

⚠ Safety Precautions

• Installation Precautions

1. Make sure power connections clear enough to you before installation.
2. System installation is required professional installers and ventilation space.
3. Please use recommended and genuine storage device.
4. Please contact local dealers in case of service requirement.

• In Use Precautions

1. Please keep the inner components off any solid or liquid.
2. Please do not disassemble the equipment for warranty issue. Please contact local dealers or the manufacturer for prompt service.
3. Please remove the battery if remote control keeps idle for quite a long while.
4. The equipment best connects with ground wire in case of outdoor cameras connection or alarm I/O connection. This is to keep the DVR away from static electricity damage.

• Surrounding

1. Please have the DVR under recommended temperature away from the sun and heating source.
2. Please keep this equipment away from humid surrounding.
3. Please keep this equipment away from smoke and dust.
4. Please do not drop the equipment.
5. Please keep this equipment in ventilation space.
6. Please supply rated voltage and Amp. To the equipment.
7. Please keep flammable objects away from the equipment.

Recording

■ System initialization / Recording

System initializes within 30 seconds when power is on. PWR green light ON when system is rebooting. System starts to recording when REC green light is flashing.

■ Shut off/ Stop recording

Device offer prolonged 3 seconds recording after power off to ensure data is well stored; user can take out the SD card when indication is off.

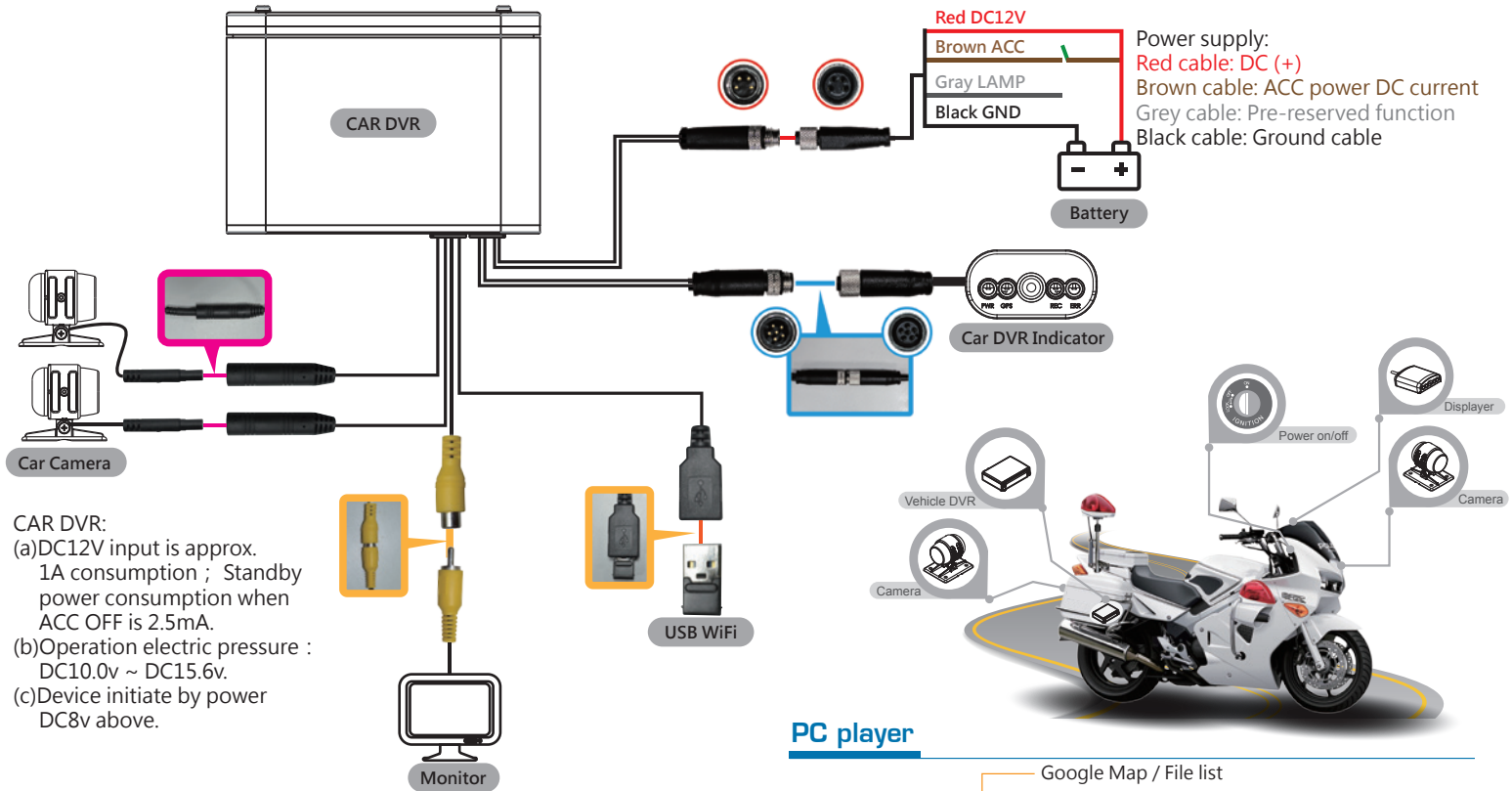
Installation of SD card

- (1). Counterclockwise to unscrew the screw of dustproof lid to install/ takeoff the SD card.
- (2). Please do SD card format/ restoration with attached player.

⚠ Attention

- (1). Suggest using class 10, 8GB above.
- (2). Before using the memory disk, please format the disk first by using the software player in the CD-ROM. If not, device will automatically erase all data in the memory disk before recording.
- (3). To ensure recording quality, please do not use adapter card with Micro SD card. Doing so may lead to bad connection due to shock and vibration.
- (4). All memory disks have limited lifespan. Please regularly watch videos on PC and check the memory disk to ensure proper functioning.
- (5). Collision and vibration may cause SD card defective and result intermittent recording, please check data and backup file periodically.
- (6). When you using new memory card insert host, the device will format the memory card, and beginning recording after approx. 2 second.
- (7). After SD card format by device or PC player, 8G, 16G, 32G, 64G or 128G SD card all showing 80.5MB storage space under Windows system, other storage space as hidden files, user have to play video records by professional player that offer by manufacturer. The restore SD card also have to use the manufacturer player refer to format/restore memory card chapter.
- (8). When accident happen, please remove SD card and set it as write protection condition, for avoid record being over writing or tampering.

DVR installation diagram



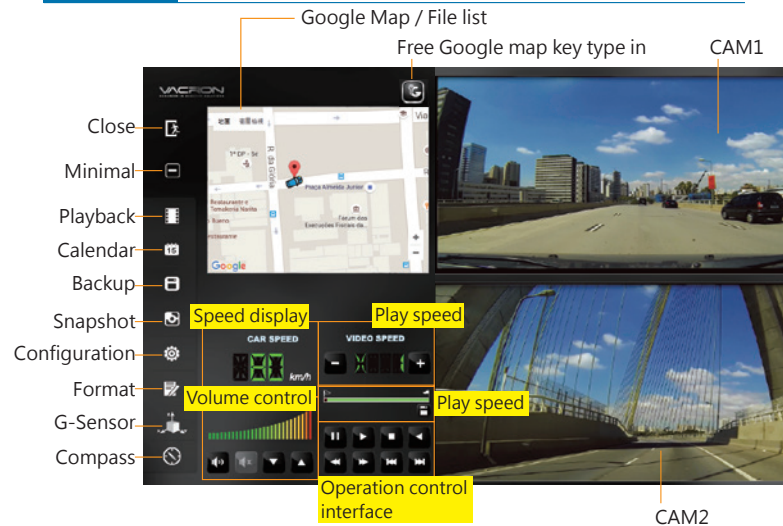
Explanation

- Please install device by professional installation engineer; temporary installation is suggest to fixed with tape included; please take high attention from damaging motor oil and power supply.
- Please keep device cabling from gasoline tube and oil tank; please install DVR when engine is off.
- Please don't use micro-SD adaptor as recording device, it may cause intermittent recording and unstable connect from driving vibration.
- Please use tape to seal connector well after cabling in order to prevent cabling loosens and dirt, oil, water from entering.
- All cabling should be installed with fuse protection.
- DVR should be fixed well to prevent moving and causes device from damages.
- GPS positioning precision is interfered by installation position and weather condition.

Attention

- Camera video and signal may be electromagnetic interfered of installing on non-EMC certified vehicles.
- Please use alcohol to clean cable connectors to eliminate dust, mud, oil, ...etc. to ensure signal transmission and video quality.
- NTSC or PAL frequency should be set according to local TV system.
- The machine consumes micro electric current when standby. If the vehicle wouldn't be used for long time, please remove DVR power to prevent power consumption to car battery. User needs to do time calibration after reconnect the DVR to car battery.
- Boot screen and OSD interface is subject to change according to software update or revision change without notice.
- Please remove the card and set to lock-state to avoid being overwritten for important event or accident records.
- Please shut off power before installing or removing cameras to protect from electric surge or short.
- DVR shuts off when ACC power is off, and DVR time setting is rely on car battery.

PC player



WiFi Connection



APP Player

Attention

- There might be video transmission delay due to wireless transmission.
- Remote playback video file only available for SD card record without overwriting
- Please remember to restore WiFi setting to external network after using Vacron Player.
- It is recommended to check regularly with the use of the Laptop player to play the video. Make sure the video system maintain normal operations if OBD is not installed.