



DTV 1080P

Auto Light Alert Camera



NEW 2017AUG. V1.0



VCM-69LS42D

- HD digital image sensor, resolution of 1080p @ 30 fps.
- Megapixel CS mount: 4mm / 6mm / 8mm / 2.8~12mm.
- 50 28PCS IR LED ; 50 12PCS White LED, effective distance of 30M.
- The White LED will activate when the motion is triggered until motion deactivate.
- IR cut filter, accurate color performance.
- Wide dynamic range.
- Compatible with DVB-T (ETSI EN300 744) digital TV standard transfer protocol.
- Transmission distance up to 1000 meters without repeaters.
- The White LED will activate when the motion is triggered until motion deactivate.
- Delivering clear color images during day and night time.
- Vandal-Resistant Case Design.
- 3-Axis camera lens to freely pan, tilt, and rotate to every angle.

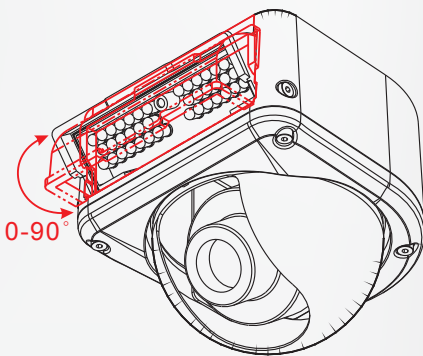
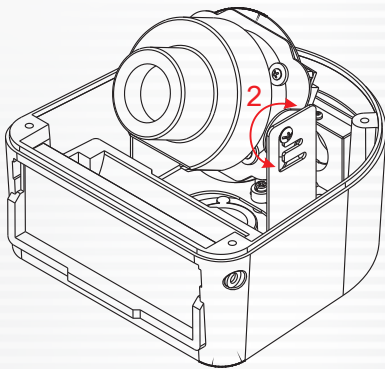
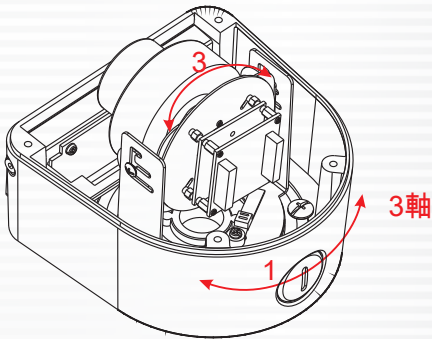
DTV 1080P Auto Light Alert Camera

VCM-69LS42D

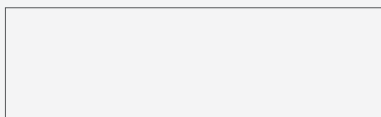
SPECIFICATIONS

items	Specifications
Pick Up Element	H.264, MPEG2-TS
Image Signal Process	Image Sensor
Lens	Megapixel CS mount- 4mm、6mm、8mm / 2.8~12mm
Number Of Pixels	1920 (H) × 1080 (V)
Horizontal Resolution	1080P/30fps
Power Supply	DC12V
Power Consumption	650 mA
Consumption	>7.8W
Imaging	AGC、AWB、AES、BLC、WDR、2D/3D、 Slow Frame Rate
Camera Synchronization	brightness、contrast、saturation、bitrate、 framerate、frequency、set utc time、 NTSC/PAL、MOTION
Mechanical IR Cut Filter(ICR)	5V IR-Cut
Minimum Illumination	Max. 65dB
Sensitivity	0.001 Lux ; 0 Lux (IR On)
LED	5Ø 28PCS IR LED ; 5Ø 12PCS White
IR Range	30M
IR Wavelength	850nm
Frequency	Adjustable : 5 MHz ~ 8MHz
Frequency Range	141~923Mhz Default : 177 MHz
Transfer Compatibility	DVB-T (ETSI EN 300 744)
Video Signal Output	Compatible with DVB-T (ETSI EN 300 744)
Dimensions(W x D x H)	133 x 128 x 116 mm
Weight	About 900 g

★ Product specifications are subject to change without notice; please contact us for the latest information.



■ DISTRIBUTED BY



ccHDTV

Upgrade from Analog video
to Digital HD video

The ccHDTV surveillance system, as known as DTV surveillance, is a new-generation video security solution adopting digital TV technologies with DVB-T standards currently. It features excellent performance in both video and audio transmission over coaxial cables or air, with major advantages including: excellent HD video quality over coaxial cables, seamless solution for CCTV upgrades, and longer transmission distance.



DTV Camera

Available to transmit more
than 100 unit digital signals



Long distance transmission without
using any repeater.
3C2V transmission distance can be
reached 400 meter.



DTV DVR