

ONVIF 2M IR IP Speed Dome



NEW 2019 MAY. V1.0



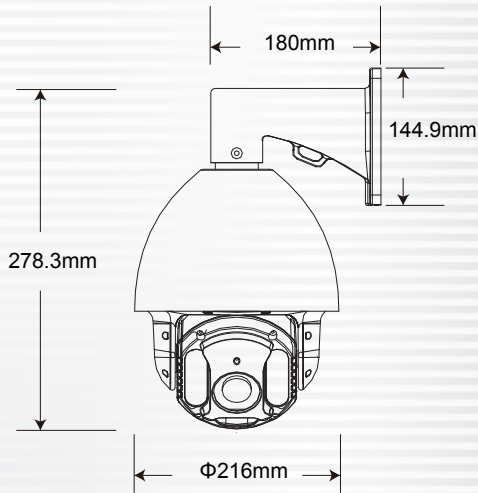
VFI-130A5

1. 1080P (1920 x 1080) high definition video recording.
2. Maximum 30 times optical zoom with auto focus and maximum 16 times digital zoom .
3. All controls & operation can be via IE browser.
4. Automatic IR LED distances re-adjust
5. Build-in video processing features such as DIS 、WDR 、Defog 、Freeze 、Privacy 、Motion 、Slow Shutter...etc...

VFI-130A5

2M IR IP Speed Dome

Wall



• SPECIFICATIONS

Lens Specs (Zoom LENS)	Optical Zoom	30X	
	Focus	4.3~129.0mm, Auto Focus	
	Least Focus Distance	1 meter (Small Angle))	
	Aperture (F)	F1.6(wide) – F5.0(Tele)	
	Aperture Range	F1.6 ~ F28, CLOSE	
	Viewing Angle	Wide Angle 65.1°(Horizontal) x 38.4°(vertical) Small Angle 2.34°(Horizontal) x 1.36°(vertical)	
Sensor Specs	Color Mode	Color(Day) / B&W(Night) Automatic Switching	
	Scanning System	1/2.8" 2MP Sony Starvis CMOS sensor	
	Effective Pixel (H×V)	2M pixels (1920 X 1080)	
	Resolution	1080P30 (NTSC) / 1080P25 (PAL) Output	
Image Processing Features	LUX	Color : 0.2 Lux @ 1/30Sec,F1.6 ,50IRE B/W : 0.05Lux @ 1/30Sec ,F1.6 ,50IRE	
	Digital Zoom	Off/On(16X) (480x with optical zoom)	
	Shutter	Auto/Flicker/Manual(1/25, 1/30 ~ 1/30,000)	
	AGC	x0 ~ x20	
	Sensitive Gain	X0 ~ x10	
	White Balance	AUTO / Acutest / Preset / Manual	
	De-noise	2D 、 3D	
	MIRROR	Horizontal, vertical & Flip	
	SHARPNESS	0 ~ 10	
	High Light Compensation	WDR 、 BLC 、 HSBL(C(High Light Mask)	
	Special Features	De-fog 、 DIS 、 MOTION 、 FREEZE 、 Day/Night PRIVACY 、 Slow-Shutter	
	Compression Format	H.264 (1920 x 1080) @max. 30fps	
	Transmission Specs	Interface	10/100 Mbps Ethernet , RJ-45
		Protocol	IPv4,TCP/IP, DHCP, HTTP, FTP, SMTP,RTSP,SNTP,DNS
Browser		Microsoft Internet Explorer 6.0 later version	
Text Display Function (Pre-OSD)		Time, date, or custom text display and can be set to display position	
control via IE		Speed dome/OSD MENU all functions can be controlled (compatible with keyboard KB-100)	
Control Specs	PT Speed (Full Cycle)	Over 1 Second	
	Horizontal / Vertical Speed	240°/S / 180°/S	
	Horizontal Rotation Range	360° continuous	
	Vertical Rotation Range	0°~90°	
	Camera ID (Pre-set Point)	256 Points (Max.)	
	Pre-set Point Variance	±0.01°	
	Alarm	1 Channel input & 1 Channel output	
	IR LED Distance	8pcs High power IR LED over 100 M (Max.)	
Build-in Fan	Temperature controlled		
Power Supply	AC24V@3A / 40W (Max.)		
Operation Temperature	-10°C ~ +50°C		
Humidity	0 ~90%RH		
Environment	IP66, All weather 3rd party enclosure, Build-in fan, All day recording,		
Protection Level	3000V lightning protection, Surge Protection.		

★Product specifications are subject to change without notice; please contact us for the latest information.