



ONVIF 5 Megapixel Vandal Dome

IP Camera



NEW 2014 SEP. V1.0



IP Surveillance

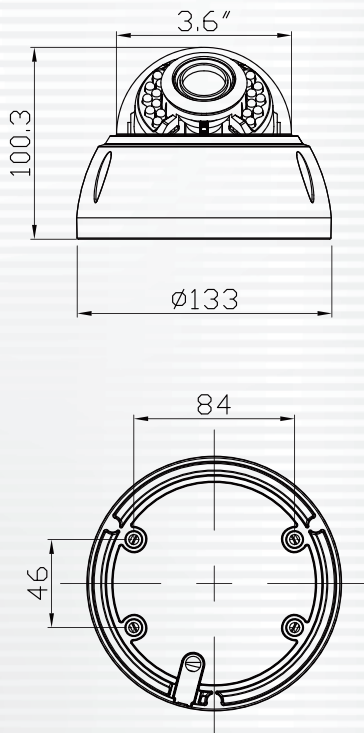
VIG-DM755E

- 5 Mega Pixel 1/3.2" CMOS Image Sensor.
- Real-time H.264,H.265+, MJPEG Compression(Dual Codec).
- Resolution : 2560x1920.
- Simultaneous Multiple Streams.
- 24 IR LEDs, IR Range 15M.
- Supports ONVIF Standard to Simplify Integrationand Enhance Interoperability.

VIG-DM755E 5 Megapixel Vandal Dome IP Camera



Dimension Unit: mm



SPECIFICATIONS

System	Flash	: 16MB
	RAM	: 256MB
Image Sensor	5 Megapixel High Quality 1/3.2 CMOS Image Sensor	
Sensitivity	0 Lux (IR ON)	
IR LEDs	24 pcs	
IR Range	15 M	
Lens	Megapixel CS mount	
	Removable IR-cut filter for day & night function	
Video	H.264/H.265+: 2560x1920 @10fps	
	H.264/H.265+: 1920x1080 @25fps	
	H.264/H.265+: 1280x720 @30fps	
	H.264/H.265+: 640x480 @30fps	
	Compression: H.264,H.265+,MJPEG Streaming: Dual Codec (H.264 · H.265+ · JPEG) Selectable Support Simultaneous multiple streams	
Image Settings	Adjustable image size, quality, and bit rate	
	Time/Date stamp and text caption overlay.	
	BNC connector for video output, NTSC/PAL video output switch	
	Adjustable image size, quality, and bit rate	
	Time/Date stamp and text caption overlay.	
Networking	Interface	10/100 Mbps Ethernet, RJ-45
	Supported Protocol	IPv4,TCP/IP,DHCP,HTTP,RTSP,SNTP,DNS
	Supported Browser	Microsoft Internet Explorer 6.0 or above
Alarm and Event Management	Motion Detection	
Users	Event notification using SMTP or FTP	
Maintenance	8 clients on-line monitoring at the same time	
	Multi-level user access control with password protection	
I/O	Supports online firmware upgrade	
Power	RJ-45 Ethernet x 1,DC Jack x1	
Max. Power Consumption	DC12V or PoE IEEE802.3af Class 0	
Weight	3.6W(IR OFF),7W(IR ON)	
Dimension	Netweight: 1050 g	
Operating Environments	W:Ø135mm H:110mm	
	Temperature: 0 ~ 45 °C	Humidity: 90%

★Product specifications are subject to change without notice; please contact us for the latest information.

■ DISTRIBUTED BY

