



ONVIF 5 Megapixel Vandal Dome

IP Camera



NEW 2014 SEP. V1.0



IP Surveillance

VIG-DM755VE

- 5 Mega Pixel 1/3.2" CMOS Image Sensor.
- Real-time H.264, H.265+, MJPEG Compression (Dual Codec).
- Resolution : 2560x1920.
- Simultaneous Multiple Streams.
- 24 IR LEDs, IR Range 15M.
- Supports ONVIF Standard to Simplify Integration and Enhance Interoperability

VIG-DM755VE 5 Megapixel Vandal Dome IP Camera

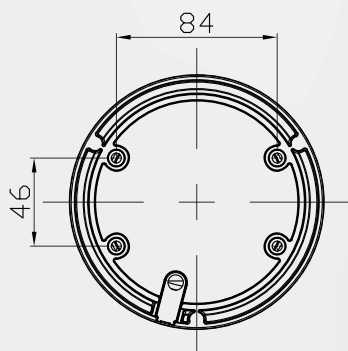
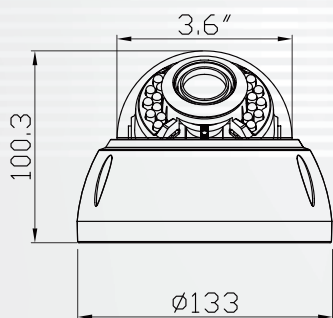


Full function cable (Optional)



1. GND
2. Alarm output 1
3. Alarm input 2
4. Alarm input 1
5. DC12V input
6. Reset Button
7. Analog Video Out
8. Audio Line in
9. RJ-45 Ethernet LAN Port

Dimension Unit: mm



SPECIFICATIONS

System	Flash : 16MB RAM : 256MB
Image Sensor	5 Megapixel High Quality 1/3.2 CMOS Image Sensor
Sensitivity	0 Lux (IR ON)
IR LEDs	24 pcs
IR Range	15 M
Lens	Varifocal 2.8~12 mm F1.4 Removable IR-cut filter for day & night function
Video	H.264/H.265+ : SMP(2560 x 1920) @10fps H.264/H.265+ : 3MP(2048 x 1536) @25fps H.264/H.265+ : 1600 x 1200 @30fps H.264/H.265+ : 1080P @30fps H.264/H.265+ : 720P @30fps H.264/H.265+ : VGA @30fps H.264/H.265+ : 270P @30fps H.264/H.265+ : 352 x 240 @30fps Compression: H.264,H.265+,MJPEG Streaming: Dual Codec (H.264 · H.265+ · JPEG) Selectable Support Simultaneous multiple streams BNC connector for video output, NTSC/PAL video output switch
Image Settings	Adjustable image size, quality, and bit rate Time/Date stamp and text caption overlay. BNC connector for video output, NTSC/PAL video output switch Adjustable image size, quality, and bit rate Time/Date stamp and text caption overlay. Configurable brightness, contrast, saturation, sharpness, white balance and exposure AGC / AWB / AES / BLC / WDR
Audio	Format : G.711 audio encoding Support Audio line-in for external microphone (optional)
Networking	Interface : 10/100 Mbps Ethernet, RJ-45 Supported Protocol : IPv4,TCP/IP,DHCP,HTTP,RTSP,SNTP,DNS Supported Browser : Microsoft Internet Explorer 6.0 or above
Alarm and Event Management	Motion Detection Event notification using SMTP or FTP
Users	8 clients on-line monitoring at the same time Multi-level user access control with password protection
Maintenance	Supports online firmware upgrade
I/O port	RJ-45 Ethernet x 1, DC Jack x 1, BNC Video out, Phone Jack Line in x 1, Alarm I/O, Reset Button (optional)
On-board Storage	SD/SDHC card slot : Stores snapshots and video clips(optional)
Power	DC12V or PoE IEEE802.3af Class 0
Max. Power Consumption	3.6W(IR OFF),7W(IR ON)
Weight	Netweight: 1050 g
Dimension	W:Φ135mm H:110mm
Operating Environments	Temperature: 0 ~ 45 °C Humidity: 90%

★Product specifications are subject to change without notice; please contact us for the latest information.

■ DISTRIBUTED BY

