



**ONVIF 2 Megapixel Vandal Dome**

IP Camera



**NEW** 2014 OCT. V1.0



IP Surveillance

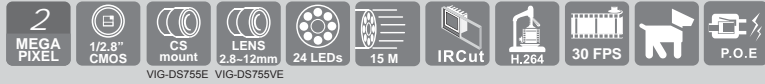
**VIG-DS755E**

**VIG-DS755VE**

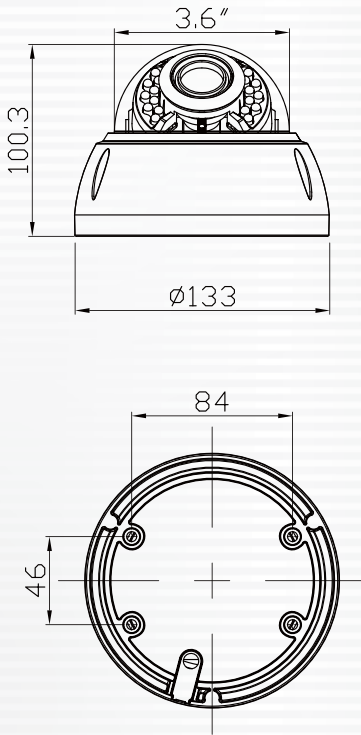
- Sony Exmor 1/2.8" CMOS Image Sensor.
- Real-time H.264,H.265+, MJPEG Compression(Dual Codec).
- Resolution : 1920x1080.
- Simultaneous Multiple Streams.
- 24 IR LEDs, IR Range 15M.
- Supports ONVIF Standard to Simplify Integration and Enhance Interoperability.

# VIG-DS755E/ VIG-DS755VE

## 2 Megapixel Vandal Dome IP Camera



Dimension Unit: mm



### SPECIFICATIONS

Model		VIG-DS755E	VIG-DS755VE
System		Flash : 16MB RAM : 128MB	
Image Sensor		FullHD High Quality 1/2.8" Sony Exmor CMOS Image Sensor	
Sensitivity		0 Lux (IR ON)	
IR LEDs		24PCS	
IR Range		15M	
Lens		Megapixel CS mount	Varifocal 2.8-12mm F1.4
		Removable IR-cut filter for day & night function	
Video		H.264/H.265+ : 1920x1080 @25fps H.264/H.265+ : 1280x720 @30fps H.264/H.265+ : 640x480 @30fps Compression: H.264, H.265+, MJPEG Streaming: Dual Codec (H.264 + H.265+ + JPEG) Selectable Support Simultaneous multiple streams	
Image Settings		Adjustable image size, quality, and bit rate Time/Date stamp and text caption overlay. BNC connector for video output, NTSC/PAL video output switch Adjustable image size, quality, and bit rate Time/Date stamp and text caption overlay. Configurable brightness, contrast, saturation, sharpness, white balance and exposure AGC / AWB / AES / BLC / WDR	
Networking	Interface	10/100 Mbps Ethernet, RJ-45	
	Supported Protocol	IPv4, TCP/IP, DHCP, HTTP, RTSP, SNTP, DNS	
	Supported Browser	Microsoft Internet Explorer 6.0 or above	
Alarm and Event Management		Motion Detection Event notification using SMTP or FTP	
Users		8 clients on-line monitoring at the same time Multi-level user access control with password protection	
Maintenance		Supports online firmware upgrade	
I/O		RJ-45 Ethernet x 1, DC Jack x1	
Power		DC12V or PoE IEEE802.3af Class 0	
Max. Power Consumption		3.6W(IR OFF), 7W(IR ON)	
Weight		Netweight: 1050g	
Dimension		W:Φ135mm H:110mm	
Operating Environments		Temperature: 0 ~ 45 °C , Humidity: 90%	

★ Product specifications are subject to change without notice; please contact us for the latest information.

■ DISTRIBUTED BY

