



ONVIF

5 Megapixel IR Bullet

IP Camera



NEW 2014 JUL. V1.0



IP Surveillance

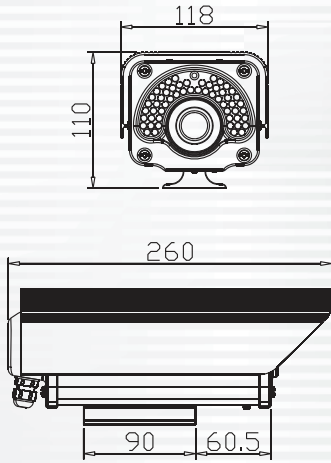
VIG-UM729V

- 5 Mega Pixel 1/3.2" CMOS Image Sensor.
- Real-time H.264,H.265+, MJPEG Compression(Dual Codec).
- Resolution : 2560x1920.
- Simultaneous Multiple Streams.
- 56 IR LEDs, IR range 40M
- Supports ONVIF Standard to Simplify Integration and Enhance Interoperability.

VIG-UM729V 5 Megapixel IR Bullet IP Camera



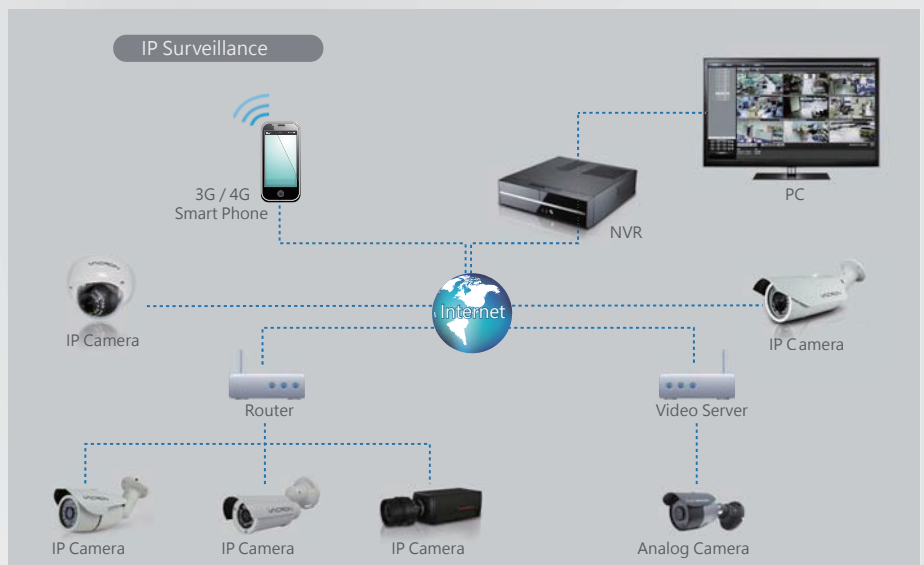
Dimension Unit: mm



SPECIFICATIONS

System	Flash : 16MB	
	RAM : 256MB	
Image Sensor	5 Megapixel High Quality 1/3.2 CMOS Image Sensor	
Sensitivity	0 Lux (IR ON)	
IR LEDs	56PCS	
IR Range	40M	
Lens	Varifocal 2.8~12mm F1.4	
	Removable IR-cut filter for day & night function	
Video	H.264,H.265+ : 2560x1920 @10fps	
	H.264,H.265+ : 1920x1080 @25fps	
	H.264,H.265+ : 1280x720 @30fps	
	H.264,H.265+ : 640x480 @30fps	
	Compression: H.264, H.265+, MJPEG Streaming: Dual Codec (H.264 · H.265+ · JPEG) Selectable Support Simultaneous multiple streams	
Image Settings	Adjustable image size, quality, and bit rate	
	Time/Date stamp and text caption overlay.	
	BNC connector for video output, NTSC/PAL video output switch	
	Configurable brightness, contrast, saturation, sharpness, white balance and exposure	
Networking	Interface	10/100 Mbps Ethernet, RJ-45
	Supported Protocol	IPv4,TCP/IP,DHCP,HTTP,RTSP,SNTP,DNS
	Supported Browser	Microsoft Internet Explorer 6.0 or above
Alarm and Event Management	Motion Detection	
Users	Event notification using SMTP or FTP	
Maintenance	8 clients on-line monitoring at the same time	
	Multi-level user access control with password protection	
I/O	Supports online firmware upgrade	
IP Rating	RJ-45 Ethernet x 1,DC Jack x1, BNC Video out	
Power	IP66	
Max. Power Consumption	DC12V or PoE IEEE802.3af Class 0 (optional)	
Weight	3.6W(IR OFF),7W(IR ON)	
Dimension	Netweight: 1135g	
Operating Environments	260 × 118 × 110 mm	
	Temperature: 0 ~ 45 °C	Humidity: 90%

★ Product specifications are subject to change without notice; please contact us for the latest information.



■ DISTRIBUTED BY

