



ONVIF

2 Megapixel IR Bullet

IP Camera



NEW 2017 NOV. V2.0



IP Surveillance

VIG-US731A

VIG-US731AV

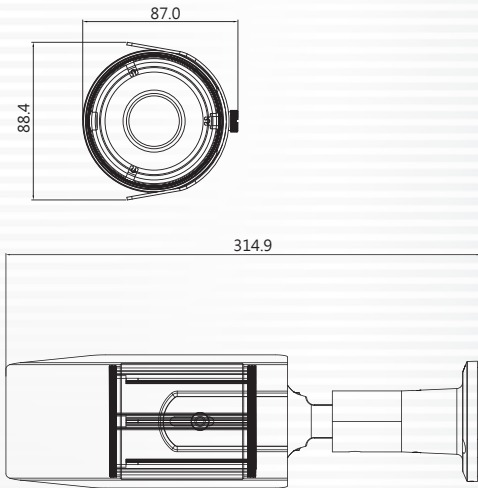
- Sony Exmor 1/2.9" CMOS Image Sensor.
- Improved low-light performance.
- Real-time H.264,H.265+, MJPEG Compression(Dual Codec).
- Resolution : 1920x1080.
- Simultaneous Multiple Streams.
- HI-POWER (35MIL)LED 2PCS, 30M IR ranges.
- Supports ONVIF Standard to Simplify Integrationand Enhance Interoperability.

VIG-US731A/VIG-US731AV

2 Megapixel IR Bullet IP Camera



Dimension Unit: mm



SPECIFICATIONS

Model	VIG-US731A	VIG-US731AV
System	Flash : 16MB	
	RAM : 128MB	
Image Sensor	FullHD High Quality 1/2.9" Sony Exmor CMOS Image Sensor	
Sensitivity	0 Lux (IR ON)	
IR LEDs	HI-POWER (35MIL)LED 2PCS	
IR Range	30M	
Lens	Megapixel CS mount	Varifocal 2.8-12mm F1.4
	Removable IR-cut filter for day & night function	
Video	H.264/H.265+ : 1920x1080 @30fps	
	H.264/H.265+ : 1280x720 @30fps	
	H.264/H.265+ : 640x480 @30fps	
	Compression: H.264,H.265+, MJPEG Streaming: Dual Codec (H.264 + H.265+ + JPEG) Selectable	
Image Settings	Support Simultaneous multiple streams	
	Adjustable image size, quality, and bit rate	
	Time/Date stamp and text caption overlay.	
	Configurable brightness, contrast, saturation, sharpness, white balance and exposure	
Networking	Interface	10/100 Mbps Ethernet, RJ-45
	Supported Protocol	IPv4,TCP/IP,DHCP,HTTP,RTSP,SNTP,DNS
	Supported Browser	Microsoft Internet Explorer 6.0 or above
Alarm and Event Management	Motion Detection	
Users	Event notification using SMTP or FTP	
	8 clients on-line monitoring at the same time	
Maintenance	Multi-level user access control with password protection	
	Supports online firmware upgrade	
I/O	RJ-45 Ethernet x 1,DC Jack x1	
IP Rating	IP66	
Power	DC12V or PoE IEEE802.3af Class 0 (optional)	
Max. Power Consumption	3.6W(IR OFF),7W(IR ON)	
Weight	Netweight: 965g	
Dimension	315 × 88 × 87 mm	
Operating Environments	Temperature: 0 ~ 45 °C Humidity: 90%	

★Product specifications are subject to change without notice; please contact us for the latest information.

■ DISTRIBUTED BY

