



ONVIF 1.3 Megapixel Box

IP Camera



NEW 2012 APR. V1.0



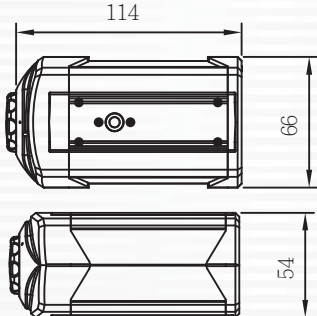
IP Surveillance VIH-BH822

- 1.3-megapixel CMOS Sensor
- Highest Resolution H.264: 1280x1024 at 15 fps
- Real-time H.264 and MJPEG Compression
- Built-in High Sensitive Microphone
- Supports ONVIF Standard to Simplify Integration and Enhance Interoperability
- Supports H/W Watchdog

VIH-BH822 1.3 Megapixel Box IP Camera



Dimension Unit:mm



Rear Panel



1. DC12V
2. Default
3. LAN Port

SPECIFICATIONS

System	Flash: 16MB	
	RAM: DDR2 128MBx2	
Image Sensor	1.3 Mega pixel 1280x1024(SXGA) 1/4" CMOS Sensor	
Lens	Support C/CS Mount lens	
Video	H.264: 1280x1024 @15 fps	
	H.264: 1280x720 @25 fps	
	H.264: 640x480 @30 fps	
	H.264: 320x240 @30 fps	
	Dual streaming	
Image Settings	Adjustable image size, quality, and bit rate	
	Time/Date stamp and text caption overlay.	
Audio	G.711 audio encoding	
	Built-in high sensitive microphone with 5M maximum audible area.	
	Supports audio mute	
Network	Interface	10/100 Mbps EtherNet
	Supported Protocol	IPv4,TCP/IP, DHCP, HTTP, FTP, SMTP, RTSP, SNTP,DNS
	Supported Browser	Microsoft Internet Explorer 6.0 or above
Alarm and Event management	Motion Detection	
	Event notification using SMTP or FTP	
I/O port	RJ-45 Ethernet , Power connection, Default Button	
Maintenance	Supports online firmware upgrade	
Power supply	DC12V	
Weight	300g	
Dimension	114 x 66 x 54 mm	
Operating Environments	Temperature: 0 ~ 40 °C	
	Humidity: 90%	

★Product specifications are subject to change without notice; please contact us for the latest information.

■ DISTRIBUTED BY

