



ONVIF

1.3 Megapixel IR Bullet

IP Camera



NEW 2017 NOV. V2.0



IP Surveillance

VIH-UH831

- 1.3 Mega pixel 1280*1024(SXGA) 1/4" CMOS Sensor
- Highest Resolution H.264: 1280x1024 @25 fps
- Real-time H.264 and MJPEG Compression
- Simultaneous Multiple Streams.
- HI-POWER (35MIL)LED 2PCS, 30M IR ranges.
- Supports ONVIF Standard to Simplify Integration and Enhance Interoperability.
- Support Audio line-in for external microphone.

VIH-UH831

1.3 Megapixel IR Bullet IP Camera

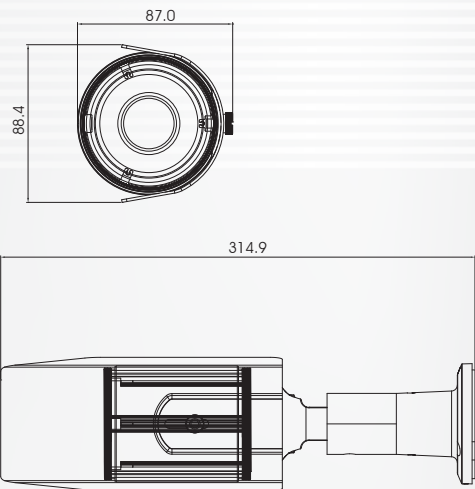


Cable Installing Instruction



- 1.Phone Jack Line In
- 2.DC 12V Input
- 3.Ethernet Lan Port and Link · Power LEDs
- 4.BNC Analog Video Output
- 5.Reset Button
- 6.Ground
- 7.Alarm Digital Input 1
- 8.Alarm Digital Output 1
- 9.Alarm Digital Input 2

Dimension Unit: mm



SPECIFICATIONS

System	Flash	16MB
	RAM	DDR2 128MB*2
Image Sensor	1.3 Mega pixel 1280*1024(SXGA) 1/4" CMOS Sensor	
Lens	Varifocal 2.8-12mm F1.4	
IR-cut	Removable IR-cut filter for day & night function	
Sensitivity	0 Lux (IR ON)	
IR LEDs	HI-POWER (35MIL)LED 2PCS, 30M IR ranges.	
Video	H.264	1280x1024 @30 fps
	H.264	1280x720 @30 fps
	H.264	640x480 @30 fps
	H.264	320x240 at 30 fps
	Support Simultaneous multiple streams	
Image Settings	Adjustable image size, quality, and bit rate	
	Time/Date stamp and text caption overlay.	
	Configurable brightness, contrast, saturation, sharpness, white balance and exposure	
Audio	Format	G.711 audio encoding
	Support Audio line-in for external microphone	
Network	Interface	10/100 Mbps Ethernet, RJ-45
	Supported Protocol	IPv4,TCP/IP,DHCP,HTTP,RTSP,SNTP,DNS
	Supported Browser	Microsoft Internet Explorer 6.0 or above Safari, Chrome or Firefox
Alarm and Event management	Motion Detection	
	Event notification using SMTP or FTP	
I/O port	RJ-45 Ethernet x 1, DC Jack x 1, BNC Video out, Phone Jack Line in x 1, Alarm I/O,Reset Button	
Maintenance	Multi-level user access control with password protection	
	Supports online firmware upgrade	
IP Rating	IP 66	
Power supply	DC12V or PoE IEEE802.3af Class 0	
Max. Power Consumption	3.6W(IR OFF),7W(IR ON)	
Weight	Netweight : 965 g	
Dimension	315 × 88 × 87 mm	
Operating Environments	Temperature: 0 ~ 45 °C	
	Humidity: 90%	

★ Product specifications are subject to change without notice; please contact us for the latest information.

■ DISTRIBUTED BY

