



Vehicle View IR Camera



NEW 2013 NOV V1.0



AVM-731-BV

AVM-731 AVM-731-BV(Back-draft)

- 1/3" CCD
- High Horizontal Resolution Max. 420 TV Lines
- Lens Mount: 2.9mm
- 6PCS LEDS, Good Night Time Image, IR Distance 3M
- Waterproof IP66.
- For Back-draft • Mirroring. (AVM-731-BV)

Vehicle View IR Camera

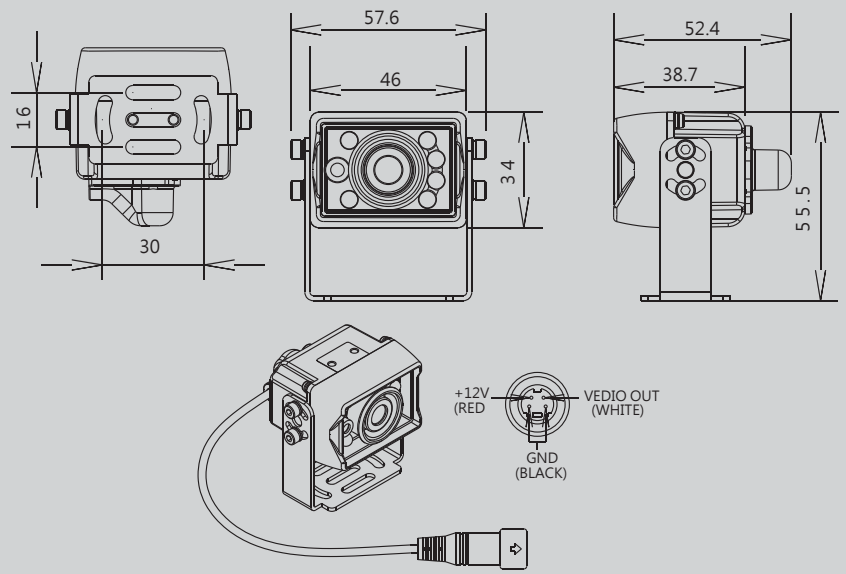
AVM-731 / AVM-731-BV

SPECIFICATIONS

Video System	NTSC	PAL
Pick Up Element	1/3 Inch CCD Image Sensor	
Image Signal Process	DIGITAL SIGNAL PROCESSING SYSTEM	
Lens	2.9mm LENS	
Number Of Pixel	510 (H) × 492 (V)	512 (H) × 582 (V)
Picture Elements	Approximately 250K	Approximately 290K
Horizontal Resolution	MAX 420 TV LINES	
Power Supply	DC 12 ± 1V	
Power Consumption	80mA(IR OFF) / 150mA(IR ON)	
Synchronization	Internal	
Scanning System	2 : 1 INTERLACE	
Sensitivity	0 LUX(IR ON)	
S/N Ratio	Max 48 dB	
Auto Electronic Iris	Automatically	
Electronic Shutter	AUTO: 1/60S TO 1/100,000 S	AUTO: 1/50S TO 1/100,000 S
Back Light Compensation	YES	
Auto Gain Control	Automatically	
Output	1 Vp-p COMPOSITE VIDEO OUTPUT, 75 OHMS	
LEDs	6PCS	
IR Range	3M	
IR Wavelength	850 nm	
View Angle	H : 90° / V : 80°	
IP Rating	IP66	
Operating Temperature	- 10° C ~ + 60° C	
Dimensions (W xD xH)	57.6 × 52.4. × 55.5 mm	
Weight	Abou 200g	

★Version updating is not going to inform, please check the on-going updating information

DIMENSION unit: mm



■ DISTRIBUTED BY

