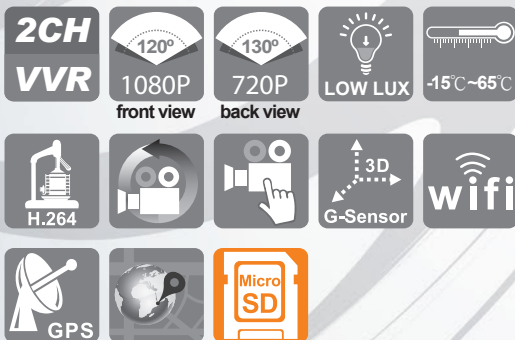




# 2 CH Car Recorder 1080P+720P / WiFi



**NEW** 2023 JAN. V4.0



■ optional

## CDR-E07 (1080p+720p)

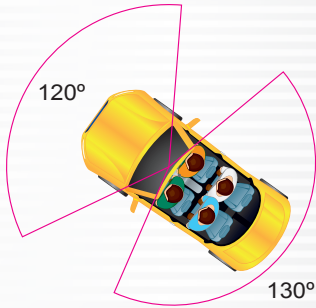
1. Suitable for record public or private vehicle security video. Apply vehicles as Taxi, cement trucks, container trucks, tank trucks, school buses, police cars, armored cars, ambulances, fire trucks, SUVs, RVs and others.
2. Sony IMX323 Ultra low-light one million high-resolution CMOS sensor.
3. Built-in Supercapacitor offers extensional power supply and ensures video is well stored of critical moment and compact.
4. Insert the card and activate power to start recording without additional operating.
5. Recording vehicle interior and exterior condition simultaneously
6. Complete time, date records that capable displays on the screen directly.
7. Recording driving condition, sound, G-Sensor and GPS data.
8. Front view angle approx. 120 degrees. Back view angle approx. 130 degrees.
9. Recording track of driving routes which can be shown on Google Map when we playback video records.
10. Micro SD memory card Class 10 or above recommend.
11. G-sensor sensitivity can be adjusted according to road situations. When detect a strong shock, system will start emergency recording and keep the files without being overwritten.
12. Professional file formats, without built-in lithium battery, no needs to afraid of heat and bursting concerns, it is the real black box.
13. Carry on Wi-Fi dongle for on line video immediately download and backup.

# 2 CH Car Recorder

## 1080P+720P / WiFi

### CDR-E07(1080p+720p)

- Front view angle approx. 120 degrees.
- Back view angle approx. 130 degrees.



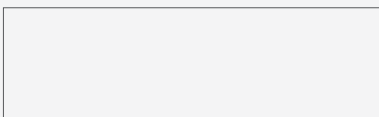
- Event Recording, keep the files without being overwritten.



- G-sensor sensitivity can be adjusted according to road situations.



- DISTRIBUTED BY



#### SPECIFICATIONS

Sensor	Front 1080P CMOS Sensor Rear 720P CMOS Sensor
Camera view angle	Front camera view angle approx. 120° Rear camera view angle approx. 130°
Voltage	(a) Require 5V±5%, 1A Cigarette lighter adapter. Start voltage as 4.7v above. (b) Built-in 1.5F supercapacity as backup power for file storage.
Operating Temp	-15°C~+65°C
Storage device	Recommend using Class 10 above micro-SDHC Card (8G above) MAX TO 128GB.
Recording Frame	Front 1920x1080 Max. Fps as 25/25Fps (NTSC/PAL) Rear 1280x720 Max. Fps as 15/15fps (NTSC/PAL) Auto record when power up system; backward facing lens can be closed by setting of software.
Recording contents	Date, time, image, sound, G-sensor data, GPS data.
Storage format	(a) Specific format for software player. (b) H.264 compression
Microphone	Build-in high sensitivity of single microphone for automatic voice adjustment
Time setting	GPS auto adjustment, use built in calendar clock if no GPS signal.
G-Sensor	Internal 3D G-Sensor
GPS	Built-in GPS, capable connect with G-MOUSE. GPS position, drive route tracking record.
WiFi	Built-in USB WIFI Dongle(2.4G HZ)
Output/input device	(a) VIDEO OUT: TV-Out (1 Vp-p composite video output, 75 ohms) (b) Video Output format: NTSC / PAL alternative. (c) Force Record Button: For emergency recording. Glams in night time. (d) Red light: Recording indicator. In emergency recording, it flashes more frequently. (e) Green light: GPS connecting light (Flashing light means that 3D positioning is not ready, bright means that 3D already positioning). (f) Blue light: WiFi connection light (flash light means WiFi do not connect, bright means success connect with WiFi). (g) EXT: extra GPS Mouse external jack. Note: under night mode, the infrared ray is on and the indicator light is dimmed.

★Version updating is not going to inform, please check the on-going updating information

★Using 3G / GPS Mouse (WiFi) function, we recommend using 5V/2A Cigarette lighter adapter.

#### Live Viewer



#### Dimension Unit: mm

