



2 CH Car Recorder

720P / GPS / Supercapacitor



NEW 2016 MAR. V3.0



OPTIONAL

CDR-E07

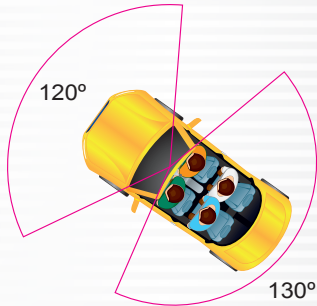
- Forward facing lens: 720P CMOS Sensor, Front view angle approx. 120 degrees. Backward facing lens: 720P CMOS Sensor, Back view angle approx. 130 degrees.
- Built-in supercapacitor offers extensional power supply and ensures video is well stored of critical moment and compact.
- Recording driving condition, sound, G-Sensor and GPS data.
- Recording track of driving routes which can be shown on Google Map when we play the video.
- G-sensor sensitivity can be adjusted according to road situations. When detect a strong shock, system will start emergency recording and keep the files without being overwritten.
- Professional file formats, without built-in lithium battery, no needs to afraid of heat and bursting concerns, it is the real black box.
- Wi-Fi playback and live view video via smart phone. [optional]
- Driving data and video are under control via 3G internet connection. [optional]

2 CH Car Recorder

720P / GPS / Supercapacitor

CDR-E07

- Front view angle approx. 120 degrees.
- Back view angle approx. 130 degrees.



- Recording driving condition G-Sensor, GPS data and Google Map when we play the video.



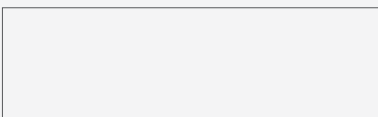
- Event Recording, keep the files without being overwritten.



- G-sensor sensitivity can be adjusted according to road situations.



- DISTRIBUTED BY



SPECIFICATIONS

Sensor Device	Forward facing lens: 720P CMOS Sensor Backward facing lens: 720P CMOS Sensor
View Angle	Outside vehicle approx : 120 degree Inside vehicle approx : 130 degree
Voltage	Please use 5V±5%, 1A Cigarette lighter adapter. The machine needs above 4.7v to start. Built-in 1.5F supercapacitor to backup power.
Operating Temp	-15°C~+65°C (Inside Vehicle).
Storage Device	Micro SD Card 8GB Class 10 is available or above.
Recording Frame	Forward facing lens: 1280x720; Highest resolution: 30fps/25fps (NTSC/PAL) Backward facing lens: 1280x720; Highest resolution: 30fps/15fps (NTSC/PAL) Auto record when power up system; backward facing lens can be closed by software setting.
Recording Content	Date, time, image, sound, G-sensor data, GPS data.
Recording Format	Specific format for software player. H.264 image compression
Microphone	Built-in high sensitivity of single microphone for automatic voice adjustment.
Time Setup	Auto-calibrating by GPS signals. If GPS is not available, the built-in clock will be used.
G-Sensor	Internal 3D G-Sensor.
GPS	Google MAP
WiFi (optional)	Support USB dongle Wi-Fi. (optional model:DWA-121) Live view, playback via Smart Phone.
3G-module (optional)	Remote access via 3G internet connection (support WCDMA) optional model: E180 E1550
Accessories	Standard
	Optional
	(a) 5V cigarette Power adapter (b) USB card reader (c) 4 pins, 3.5 inch headphone jack to RCA output cable. (d) Suction cup bracket (e) Bracket holder (f) Remote control (g) Product CD (h) Quick Guide (a) Micro SD card (8 / 16 / 32 / 64 GB) (b) External GPS Mouse (4P Phone Jack Connect)

*Version updating is not going to inform, please check the on-going updating information

*Using 3G / GPS Mouse (WiFi) function, we recommend using 5V/2A Cigarette lighter adapter.

Live Viewer



Dimension Unit: mm

