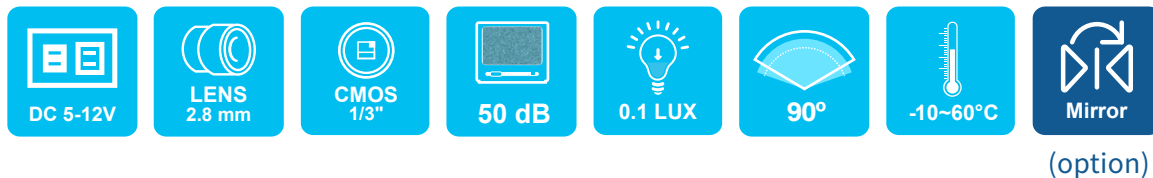


AVM-F250C 1080P

Vehicle Camera



AVM-F250C



AVM-F250C-L



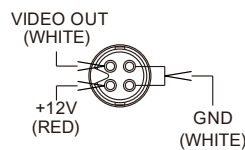
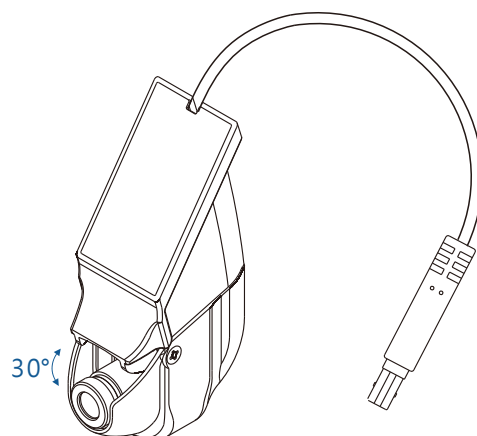
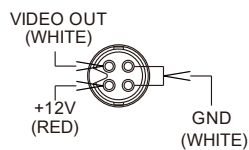
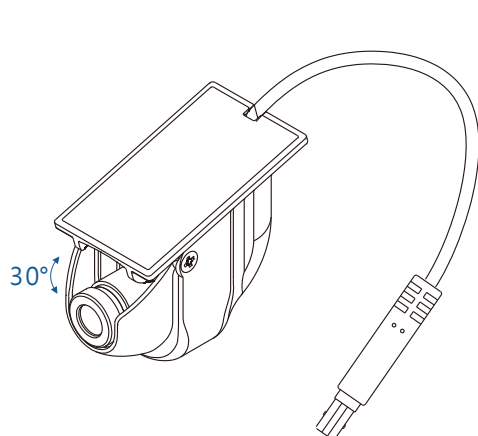
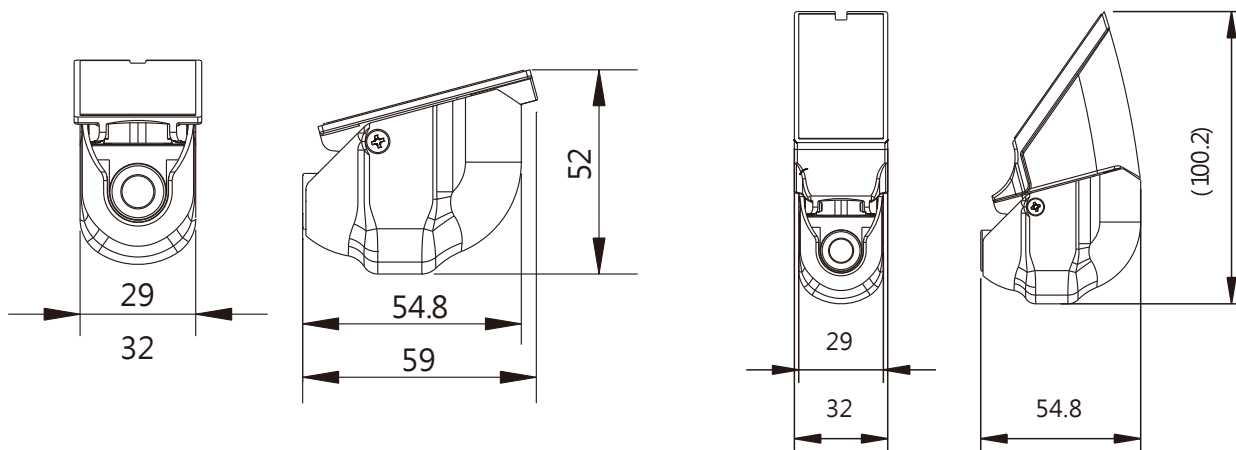
- > 1/3" CMOS Sensor
- > 2.8mm Lens
- > Suitable for trucks and buses monitoring
- > Suitable installed on windshield without waterproof
- > Video adjustable for mirroring if in need (Optional)

SPECIFICATIONS

Video System-	NTSC \ PAL
Pick Up-	1/3" CMOS Sensor
Number of Pixel-	1928(H)×1088(V)
Effective Pixels-	2.0 Mega Pixel
Resolution-	1080P
<hr/>	
Sync System-	Internal
Scanning system-	2 : 1 Interlace
Sensitivity-	0.1 LUX
S/N Ratio-	Max 50dB
Auto Gain Control-	Auto
Mirroring-	Optional(BV)
White Balance-	Auto
Electronical Shutter-	Auto
Video Output-	1 Vp-p Composite Video Output, 75 Ohms
Power Supply-	DC 5~12.0V
Power Consumption-	120mA
Lens-	2.8 mm
View Angle-	H:90°
Operating Temperature-	- 10° C ~ +60°C
Dimensions (H x W x D)-	32 × 52 × 59 mm
Weight-	50g

Version updating is not going to inform, please check the on-going updating information

DIMENSION



► S-TYPE

Suitable for slanting wind shield of vehicles, eg. Taxi cab, Police car, Van, Sedan, MPV, SUV, SUT, Recreation Vehicle

► L-TYPE

Suitable for upright wind shield of vehicles, eg. Truck, Bus, Pickup, Trailer

Version updating is not going to inform, please check the on-going updating information

Distributed BY

Head Office: No. 30, Lane 726, Jinma Rd, Sec. 3, Chang Hua City, Taiwan 500. TEL: 886-4-751-2881

FUHO TECHNOLOGY CO., LTD.

www.vacron.com