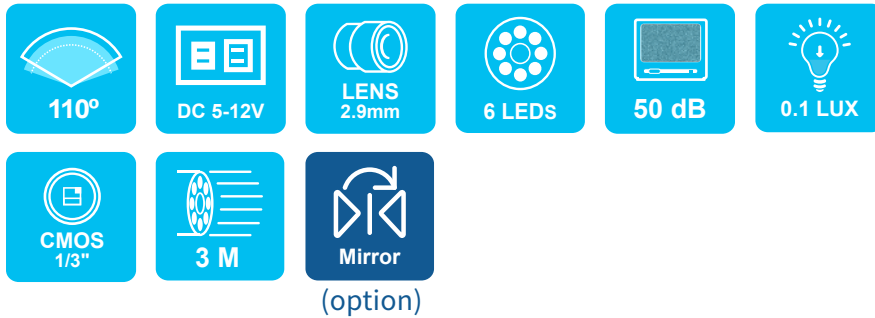


# AVM-F251C 1080P

## Rear View Camera



- › 1/3" CMOS Image Sensor
- › 2.9 mm Lens
- › Use 6 units IR LED, Night vision view improved for safety driving.
- › Suitable for trucks and buses monitoring
- › Video adjustable for mirroring if in need (Optional)

## SPECIFICATIONS

---

**Video System-** NTSC/PAL

**Pick Up-** 1/3" CMOS sensor

**Number of Pixel-** 1920 (H) × 1080 (V)

**Effective Pixels-** 2.0 Mega Pixel

**Resolution-** 1080P

---

**Sync System-** Internal

**Scanning system-** 2 : 1 Interlace

**Sensitivity-** 0.1 Lux

**S/N Ratio-** ≥50dB

**Auto Gain Control-** Auto

**Mirroring-** Optional(BV)

**White Balance-** Auto

**Electronical Shutter-** Auto

**Video Output-** 1 Vp-p Composite Video Output, 75 Ohms

**Power Supply-** DC 5~12.0V

**Power Consumption-** 120 mA (IR OFF) / 240mA (IR ON)

**Lens-** 2.9mm

**View Angle-** H: 110° V:55°

**Operating Temperature-** - 10° C ~ + 60°C

**Dimensions (H x W x D)-** 44mm × 80mm × 48.5 mm

**LEDs-** 6PCS

**IR Range-** 3M

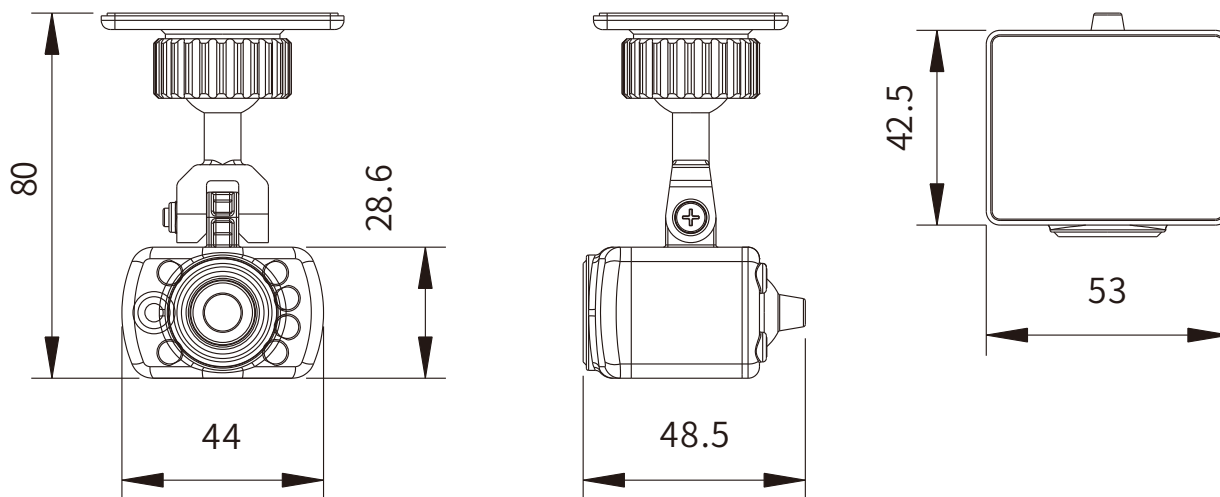
**IR Wavelength-** 850 nm

---

Version updating is not going to inform, please check the on-going updating information

## DIMENSION

unit: mm



Version updating is not going to inform, please check the on-going updating information

Distributed BY

Head Office: No. 30, Lane 726, Jinma Rd, Sec. 3, Chang Hua City, Taiwan 500. TEL:886-4-751-2881

FUHO TECHNOLOGY CO., LTD.

[www.vacron.com](http://www.vacron.com)