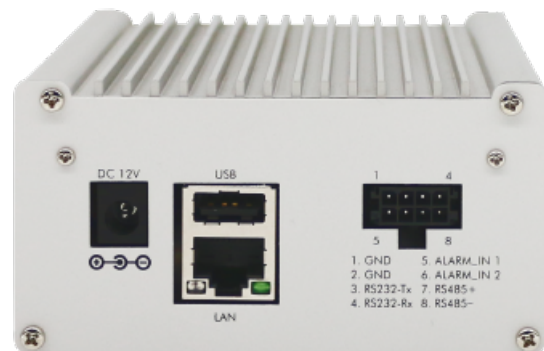


FUM-T06-A 1080

Cloud Comprehensive Door Opener



(Front Facial)



(Rear Facial)

- › Cloud Comprehensive Door Opener
- › Traditional and High Speed Rolling Doors are Compatible of and Installation at Ease
- › SD Card Recording & Cloud Server Recording
- › P2P Remote Access Support for Cyber Security
- › 2MP Full HD Security Camera Support Safety Double up
- › Open and Close Garage Doors from Smart Phone or PC in Visibility
- › x4 Relay Controller Applicable for Light, Lock and Electrical Appliance
- › USB Type A Built in for WiFi Dongle and USB Communications
- › RS485, RS232 and Alarm in are Available
- › Compatible with Garage Door Sensors
- › Intercom Support

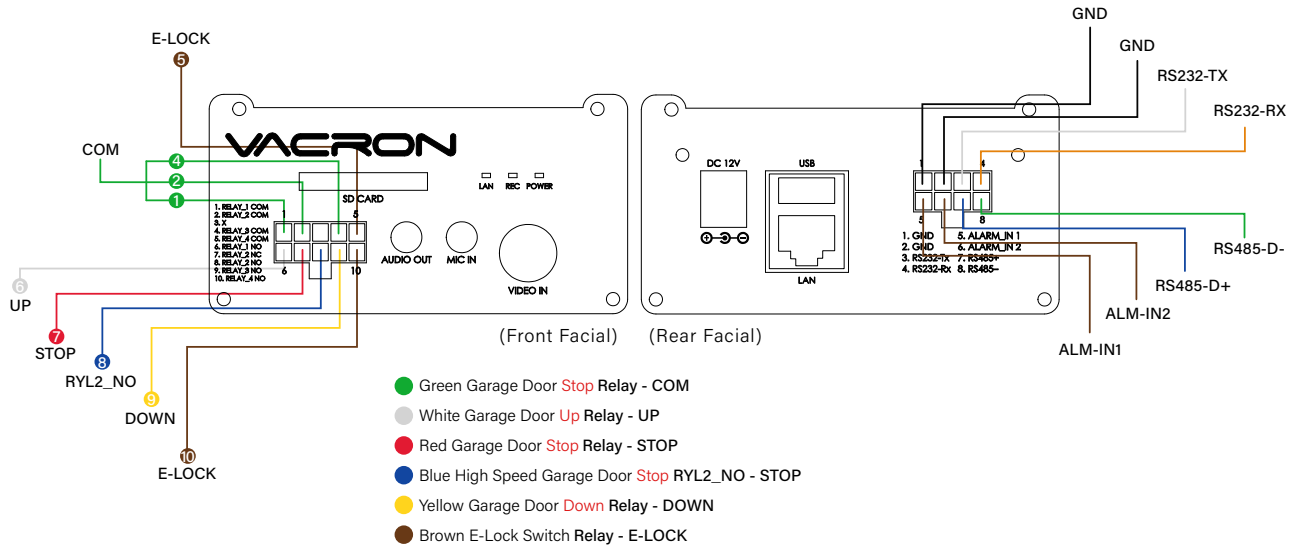
SPECIFICATIONS

| | |
|--|--|
| Power Input- | DC 12V / 1A |
| Voltage Proof of the the Relay Contact Point- | 7A@250VAC / 7A@30VDC |
| Remote Access- | Smart Phone App / IE Browser |
| Network Interface- | 10/100 Mbps Ethernet / RJ45 Connector |
| Protocol- | IPv4,TCP/IP, DHCP, HTTP, FTP, SMTP, RTSP, SNTP,DNS |
| Browser- | Microsoft Internet Explorer 11 |

| | |
|------------------------------------|--|
| Video Configuration via IE- | DHCP Default Setting |
| Video Input- | Video : Brightness 、 Contrast 、 Saturation 、 Baud Rate Audio : ON/OFF & Volume Video Input AHD 1080P |
| Live View- | 1080/30fps |
| Recording- | VGA/10fps |
| Audio- | x1 Audio Input / x1 Audio Output |
| Storage- | SD Memory Card (SDHC Card 16GB Class 10 above) |
| USB Connection- | x1 USB Type A / USB WiFi Dongle |
| Garage Door Control- | Up/Down/Stop |
| Crush Injury Protection- | x2 Alarm Input Support |
| LED Indicator- | Red - Record / Green - Power / Blue - Lan |
| Control I/O- | x1 RS485 & x1 RS232 x4 Relay Contact Points (x3 Always Open x1 Always Open & Always Close) x2 Alarm Input |
| Ambiant Temperature- | -10°C ~ 50°C |
| Measurements- | 113.5 x 95 x 50mm |

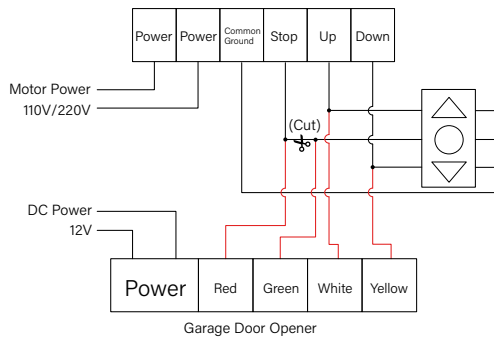
Version updating is not going to inform, please check the on-going updating information

Facial Explanation

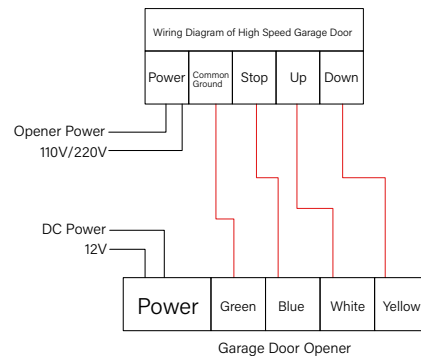


Wiring

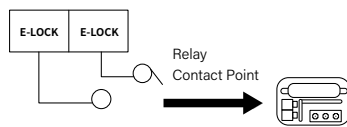
1. Wiring Diagram of Traditional Garage Door



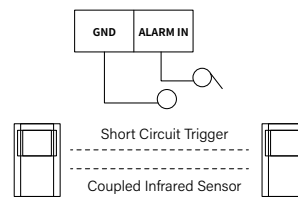
2. Wiring Diagram of High Speed Garage Door



3. Wiring Diagram of E-Lock



4. Wiring Diagram of Garage Door Sensor



- Turn off the power of the devices to be connected before installation and wiring.
- 12VDC power in use.
- Double crimp connection for the traditional garage door.
Motor stop wire to control red wire in series.
Opener green wire to switch stop wire in series.
Opener white wire in charge of roller up.
Opener yellow wire in charge of roller down and up/down button connected in parallel. (shown as diagram above)
- Traditional garage door is to be controlled by two remote control wiring as diagram
- High speed rolling door is to be connected with opener in parallel. It is a MUST to make sure of the opener stop switch in status of NC or NO. Most of them are in the status of NO contact point.
- Suppose red wire and green wire connected in opposite traditional garage door will go up and down discontinuously in condition of remote control power cut.

Version updating is not going to inform, please check the on-going updating information