

VFI-330D5 1080P / IP66

IR Network Speed Dome



- › 1080P (1920 x 1080) high definition video recording
- › Maximum 30 times optical zoom with auto focus
- › Use IE for various functions to control and operate
- › Automatic IR LED distances re-adjust
- › Built-in multiple image processing functions:
ROI (sensitive area Dynamic detection) OSD Defog

SPECIFICATIONS

Optical Zoom-	30X
Focus-	4.7-141mm, Auto Focus
Least Focus Distance-	1 meter (Small Angle))
Aperture (F)-	F1.5~F4.0 (wide) – F5.0(Tele)
Viewing Angle-	-3.9°~60°(Horizontal);1.8°~34°(vertical)
Color Mode-	Color(Day) / B&W(Night) Automatic Switching
<hr/>	
Scanning System-	1/2.8" 2MP Sony Starvis CMOS sensor
Effective Pixel (H×V)-	2M pixels (1920 X 1080)
Resolution-	1080P30 (NTSC) / 1080P25 (PAL) Output
LUX-	Color : 0.005 Lux @ 1/30Sec,F1.6 ,50IRE B/W : 0.001 Lux @ 1/30Sec ,F1.6 ,50IRE
Digital Zoom-	Off/On(16X) (480x with optical zoom)
Shutter-	Auto/Flicker/Manual(1/5~1/33000)
AGC-	x0 ~ x20
Sensitive Gain-	X0 ~ x10
White Balance-	AUTO / Autoext / Preset / Manual
De-noise-	2D\3D
MIRROR-	Horizontal, vertical & Flip
SHARPNESS-	0 ~ 10
High Light Compensation-	WDR\BLC\HSBLC(High Light Mask)
Special Features-	De-fog\DIS\MOTION\FREEZE\Day/NightPRIVACY\ Slow-Shutter
Compression Format-	H.264 (1920 x 1080) @max. 60fps
Interface-	10/100 Mbps Ethernet\RJ-45 Support H.264/AVC codec BP/MP/HP\level 4.1\ Max. 60fps Support H.265/HEVC codec MP\level 5.0\ Max. 60fps

Version updating is not going to inform, please check the on-going updating information

SPECIFICATIONS

Protocol- IPv4,TCP/IP, DHCP, HTTP, FTP, SMTP,RTSP,SNTP,DNS

Browser- Microsoft Internet Explorer 6.0 later version

(Pre-OSD)- Time, date, or custom text display and can be set to display position

control via IE- Speed dome
OSD MENU all functions can be controlled
(compatible with keyboard KB-100)

PT Speed (Full Cycle)- Over 1 Second

Horizontal / Vertical Speed- 240°/S / 180°/S

Horizontal Rotation Range- 360° continuous

Vertical Rotation Range- 0°~90°

Camera ID (Pre-set Point)- 256 Points (Max.)

Pre-set Point Variance- ±0.01°

Alarm- 1 Channel input & 1 Channel output

IR LED Distance- 12 pcs High power IR LED over 150 M (Max.)

Build-in Fan- Temperature controlled

Power Supply- AC24V@3A / 40W (Max.)

Humidity- -10°C ~ +50°C

0 ~90%RH

Environment

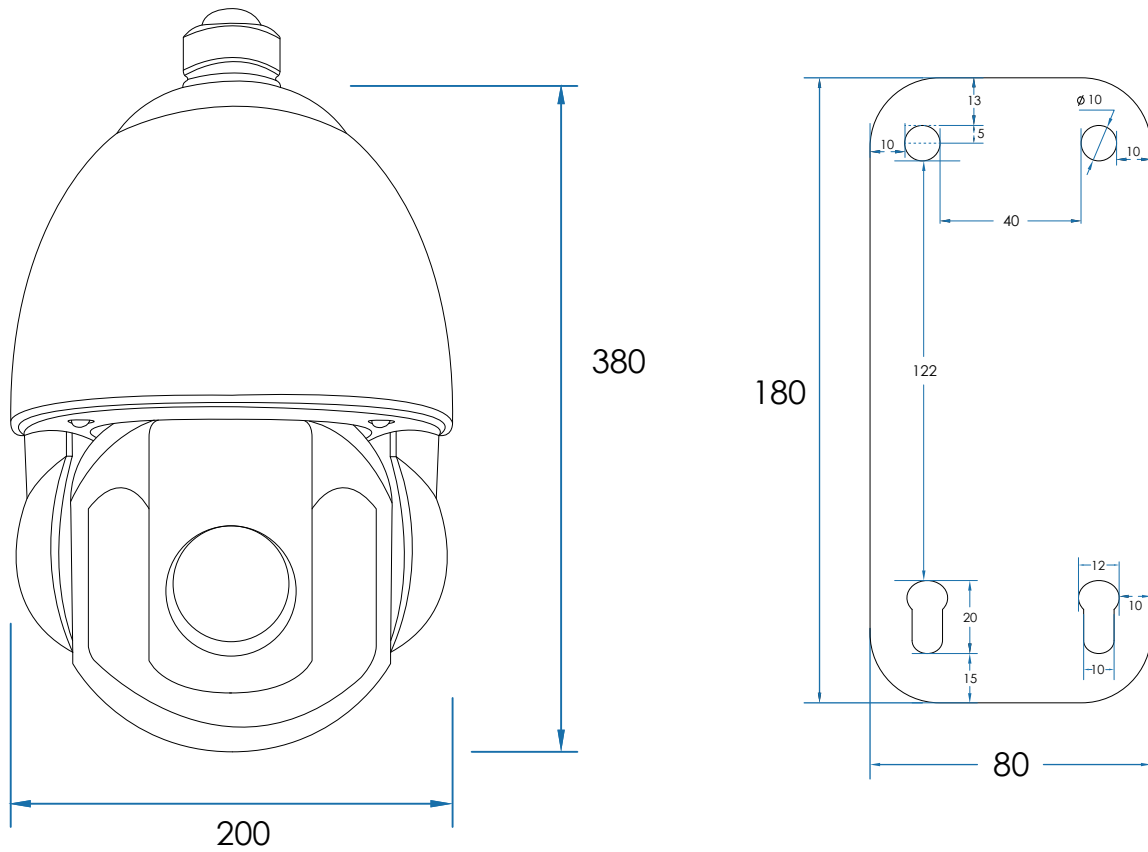
Protection Level- IP66、All weather 3rd party enclosure、Build-in fan、

All day recording、

3000V lighting protection、Serge Protection.

Version updating is not going to inform, please check the on-going updating information

DIMENSION



unit: mm

Version updating is not going to inform, please check the on-going updating information