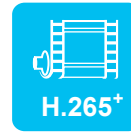


# VIG-DJ782-Z7 5MP

## IP Camera



(Optional)



- > 5M Pixel 1/2.5" CMOS Sensor with excellent image quality
- > Real time H.265+ / H.264 / MJPEG Multi-Mode compression (Dual Codec)
- > Resolution 2560\*1920 @ 30fps
- > 12pcs IR LED, IR Distance 15M
- > Support ONVIF international standard, best compatibility and integration

## SPECIFICATIONS

---

<b>System-</b>	Flash : 16MB RAM : 128MB
<b>Sensor-</b>	FullHD High Quality 1/2.5" CMOS Image Sensor
<b>Lens-</b>	Board Lens 3.6 mm
<b>IR Cut-</b>	Removable IR Cut filter
<b>Lux-</b>	0 Lux(IR ON)
<b>IR LED-</b>	IR LED 12pcs

---

<b>Compression-</b>	H.265+: 2560x1920 at 15fps H.265+: 2048x1536 at 20 fps H.265+: 1920x1080 at 30fp H.265+ 、 H.264 、 JPEG Multi-mode compression (Dual Codec) Multi-mode compression streaming
---------------------	---

<b>Video Adjustment-</b>	Resolution 、 Quality and bit rate Time 、 Date or custom text and it's position Brightness, Contrast, Saturation and Sharpness AGC 、 AWB 、 AES 、 BLC 、 WDR
--------------------------	--

<b>Electronic Shutter-</b>	1/2 ~ 1/100,000 Sec
----------------------------	---------------------

<b>Network Interface-</b>	10 /100 Mbps RJ-45
---------------------------	--------------------

<b>Protocol-</b>	IPv4,TCP/IP, DHCP, HTTP, RTSP,SNTP,DNS
------------------	--

<b>Browser-</b>	Microsoft Internet Explorer 6.0 or above Safari, Chrome or Firefox
-----------------	---

<b>Alarm &amp; Event notification-</b>	Motion Detection E-mail notification or upload file to FTP
--	---

<b>User-</b>	Max. 8 users for live view simultaneously User Authorization
--------------	---

<b>OTA-</b>	OTA for Firmware upgrade
-------------	--------------------------

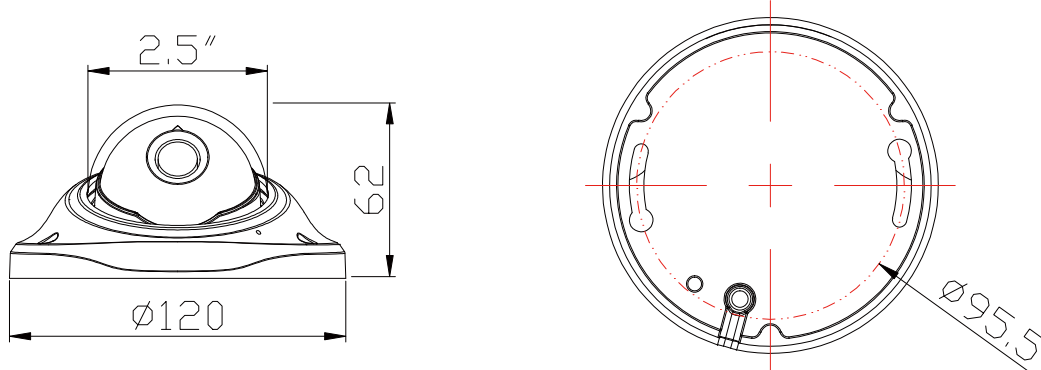
<b>I/O Port-</b>	RJ-45, DC12V
------------------	--------------

---

Version updating is not going to inform, please check the on-going updating information

## SPECIFICATIONS

- Power-** DC12V or PoE IEEE802.3af Class 0(Optional)
- Power Consumption-** 3.6W(IR OFF) 、7W(IR ON)
- Weight-** 450g
- Dimension-**  $\Phi$  120 x 60 mm
- Operating Environments-** 0 ~ 45 °C



Unit:mm

Version updating is not going to inform, please check the on-going updating information