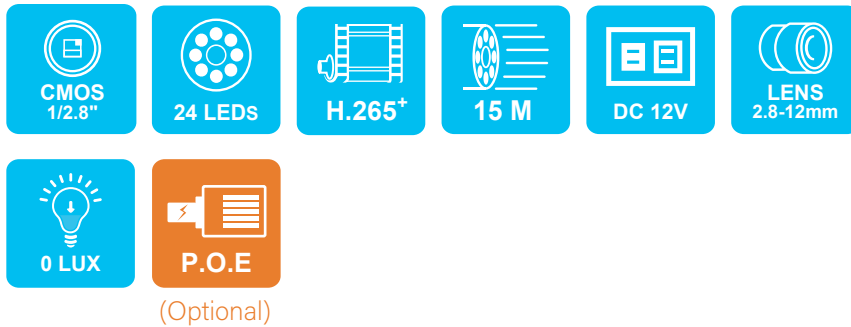


VIG-DS755V-D2 1080P

IP camera



- › 2M Pixels 1/2.8" CMOS Sensor with excellent image quality
- › Real time H.265+/H.264 /MJPEG Multi-Mode compression (Dual Codec)
- › Resolution 1920*1080 @ 30fps/s
- › 24pcs IR LED, IR Distance 15M
- › Support ONVIF international standard, best compatibility and integration

SPECIFICATIONS

System- Flash : 16MB

RAM : 256MB

Sensor- Full HD High Quality 1/2.8" CMOS Image Sensor

Lens- Vari-focal 2.8~12mm

IR Cut- Removable IR Cut filter

Lux- 0 Lux(IR ON)

LED- 24pcs IR LED

Compression- H.265+: 1920x1080 at 30fps

H.265+: 1280x720 at 30 fps

H.265+: 640x480 at 30fps

H.265+ 、 H.264 、 JPEG Multi-mode
compression (Dual Codec)

Multi-mode compression streaming

Video Adjustment- Resolution 、 Quality and bit rate

Time 、 Date or custom text and it's position

Brightness, Contrast, Saturation and Sharpness

AGC 、 AWB 、 AES 、 BLC 、 WDR

NetworkInterface- 10 /100 Mbps RJ-45

Protocol- IPv4,TCP/IP, DHCP, HTTP, RTSP,SNTP,DNS

Browser- Microsoft Internet Explorer 6.0 or above
Safari, Chrome or Firefox

Alarm & Event notification- Motion Detection

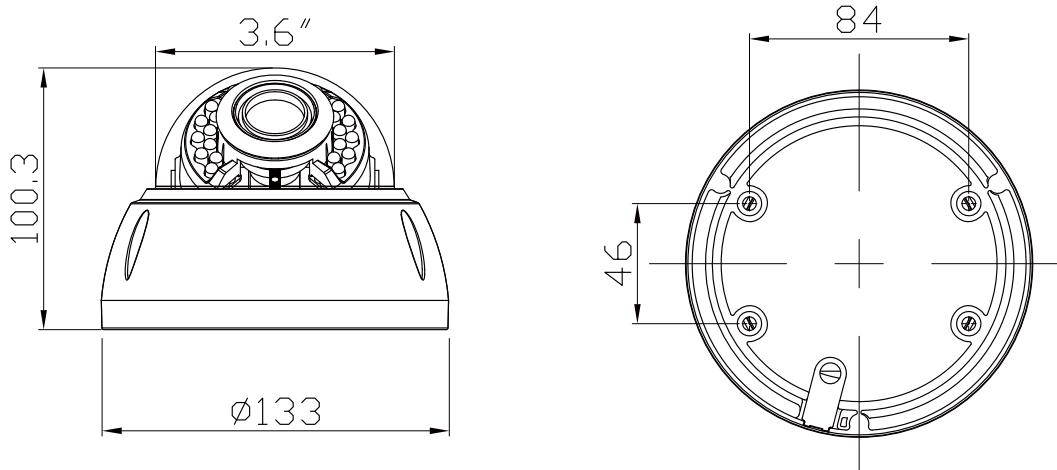
E-mail notification or upload file to FTP

User- Max. 8 users for live view simultaneously
User Authorization

Version updating is not going to inform, please check the on-going updating information

SPECIFICATIONS

- OTA-** OTA for Firmware upgrade
- I/O Port-** RJ-45, DC12V
- Power-** DC12V or PoE IEEE802.3af Class 0 (optional)
- Power Consumption-** 3.6W(IR OFF) 、18W(IR ON)
- Weight-** N.W. : 965g
- Dimension-** W:Φ135mm H:110mm
- Operating Environments-** 0 ~ 45 °C



unit:mm

Version updating is not going to inform, please check the on-going updating information

Distributed BY

Head Office: No. 30, Lane 726, Jinma Rd, Sec. 3, Chang Hua City, Taiwan 500. TEL:886-4-751-2881

FUHO TECHNOLOGY CO., LTD.

www.vacron.com