

VIG-DS755V-D6 5MP

Dome IP Camera



- > SONY 5M Pixels 1/2.8" CMOS Sensor with excellent image quality
- > Real time H.265+/H.264 /MJPEG Multi-Mode compression (Dual Codec)
- > Resolution 2560*1920 @ 15fps/s
- > 24pcs IR LED, IR Distance 15M
- > Support ONVIF international standard, best compatibility and integration

SPECIFICATIONS

| | |
|----------------|--|
| System- | Flash : 16MB RAM : 256MB |
| Sensor- | Full HD High Quality 1/2.8" SONY CMOS Image Sensor |
| Lens- | Vari-focal 2.8~12mm F1.8 |
| IR Cut- | Removable IR Cut filter |
| Lux- | 0 Lux(IR ON) |
| IR LED- | 24pcs IR LED |

| | |
|---------------------|--|
| Compression- | H.265+: 2560x1920 at 15fps H.265+: 2048x1536 at 20 fps H.265+: 1920x1080 at 30fps H.265+ 、H.264 、JPEG Multi-mode compression (Dual Codec) Multi-mode compression streaming |
|---------------------|--|

| | |
|--------------------------|--|
| Video Adjustment- | Resolution 、Quality and bit rate Time 、Date or custom text and it's position Brightness, Contrast, Saturation and Sharpness AGC 、AWB 、AES 、BLC 、WDR |
|--------------------------|--|

| | |
|---------------------------|---|
| Network Interface- | 10 /100 Mbps RJ-45 |
| Protocol- | IPv4,TCP/IP, DHCP, HTTP, RTSP,SNTP,DNS |
| Browser- | Microsoft Internet Explorer 6.0 or above Safari, Chrome or Firefox |

| | |
|--|---|
| Alarm & Event notification- | Motion Detection E-mail notification or upload file to FTP |
| User- | Max. 8 users for live view simultaneously User Authorization |
| OTA- | OTA for Firmware upgrade |
| I/O Port- | RJ-45, DC12V |
| Power- | DC12V or PoE IEEE802.3af Class 0 (optional) |

Version updating is not going to inform, please check the on-going updating information

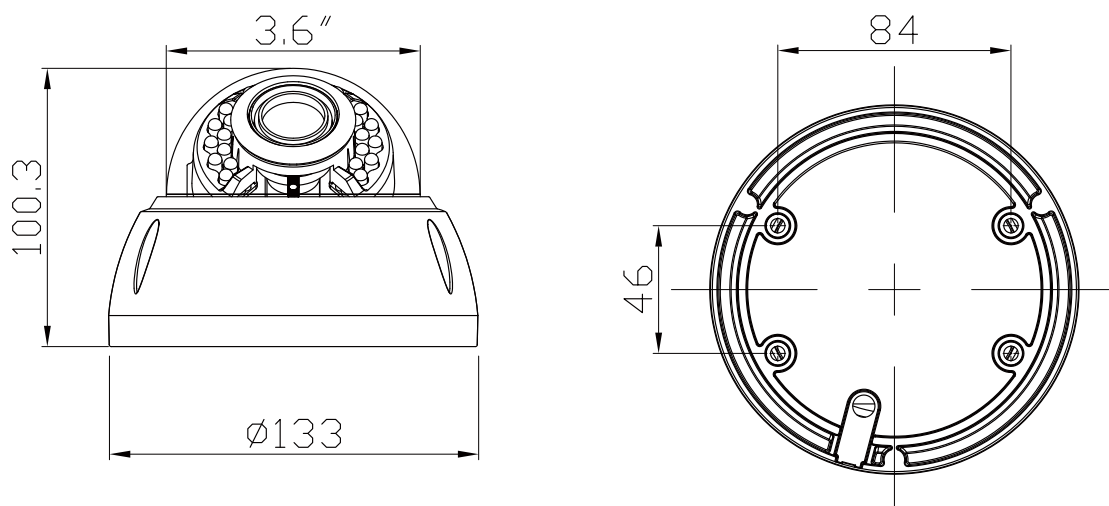
SPECIFICATIONS

Power Consumption- 3.6W(IR OFF) 、18W(IR ON)

Weight- N.W. : 1050g

Dimension- Φ :135mm H:110mm

Operating Environments- 0 ~ 45 °C



Unit:mm

Version updating is not going to inform, please check the on-going updating information

Distributed BY

Head Office: No. 30, Lane 726, Jinma Rd, Sec. 3, Chang Hua City, Taiwan 500. TEL:886-4-751-2881

FUHO TECHNOLOGY CO., LTD.

www.vacron.com