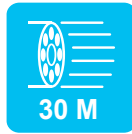


VIG-UJ723A-Z5 1080P / IP66

IP Camera



(Optional)



- > 2M Pixel 1/3" CMOS Sensor with excellent image quality
- > Real time H.265+ / H.264 / MJPEG Multi-Mode compression (Dual Codec)
- > Resolution 1920*1080 @ 30fps
- > 8pcs IR LED, IR Distance 30M
- > Support ONVIF international standard, best compatibility and integration

SPECIFICATIONS

System-	Flash : 16MB RAM : 128MB
Sensor-	FullHD High Quality 1/3" CMOS Image Sensor
Lens-	Board Lens 3.6 mm F2.0
IR Cut-	Removable IR Cut filter
Lux-	0 Lux(IR ON)
IR LED-	8pcs

Compression-	H.265+: 1920x1080 at 30fps H.265+: 1280x720 at 30 fps H.265+: 640x480 at 30fps H.265+ 、 H.264 、 JPEG Multi-mode compression (Dual Codec) Multi-mode compression streaming
---------------------	---

Video Adjustment-	Resolution 、 Quality and bit rate Time 、 Date or custom text and it's position Brightness, Contrast, Saturation and Sharpness AGC 、 AWB 、 AES 、 BLC 、 WDR
--------------------------	--

Network Interface-	10 /100 Mbps RJ-45
Protocol-	IPv4,TCP/IP, DHCP, HTTP, RTSP,SNTP,DNS
Browser-	Microsoft Internet Explorer 6.0 or above Safari, Chrome or Firefox

Alarm & Event notification-	Motion Detection E-mail notification or upload file to FTP
User-	Max. 8 users for live view simultaneously User Authorization
OTA-	OTA for Firmware upgrade
I/O Port-	RJ-45, DC12V
Power-	DC12V or PoE IEEE802.3af Class 0(Optional)

Version updating is not going to inform, please check the on-going updating information

SPECIFICATIONS

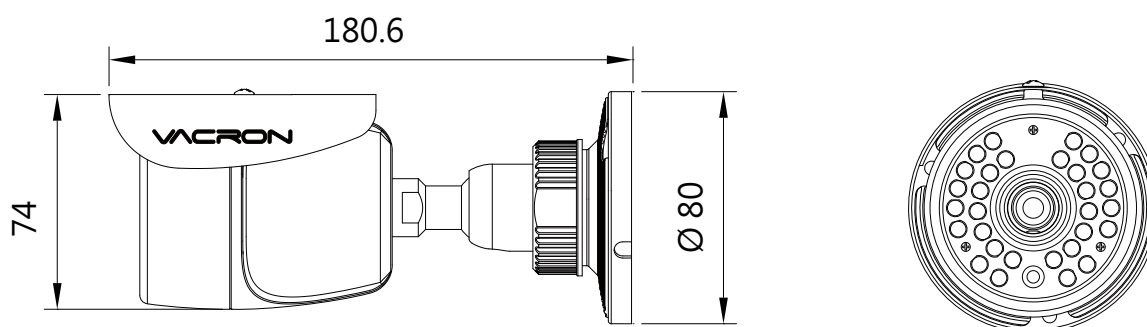
Power Consumption- 3.6W(IR OFF) 、7W(IR ON)

Weight- N.W. : 450g

Dimension- Φ 80 x 74 x 180.6 mm

Operating Environments- 0 ~ 45 °C

IP Rating- IP66



unit: mm

Version updating is not going to inform, please check the on-going updating information