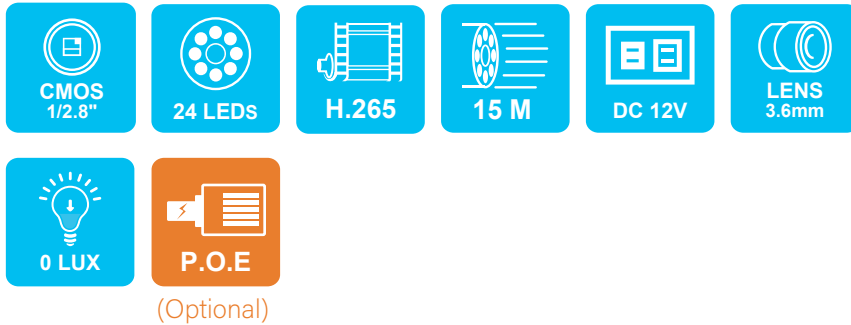


VIN-DS755-E6 5MP

IP Camera



- > SONY 5M Pixels 1/2.8" CMOS Sensor with excellent image quality
- > Real time H.265/H.264 Multi-Mode compression (Dual Codec)
- > Resolution 2592*1944 @ 30fps/s
- > 24pcs IR LED, IR Distance 15M
- > Support ONVIF international standard, best compatibility and integration

SPECIFICATIONS

System-	Flash : 256MB RAM : 512MB
Sensor-	Full HD High Quality 1/2.8" SONY CMOS Image Sensor
Lens-	Board Lens 3.6 mm
IR Cut-	Removable IR Cut filter
Lux-	0 Lux(IR ON)
LED-	24pcs IR LED

Compression-	H.265/H.264: 2592x1944 at 30 fps H.265/H.264: 2560x1440 at 60 fps H.265/H.264: 2048x1536 at 60 fps H.265/H.264: 1920x1080 at 60 fps H.265、H.264 Multi-mode compression (Dual Codec) Multi-mode compression streaming
---------------------	---

Video Adjustment-	Resolution、Quality and bit rate Time、Date or custom text and it's position Brightness, Contrast, Saturation and Sharpness AGC、AWB、AES、BLC、WDR
--------------------------	--

Electronic Shutter-	1/2 ~ 1/100,000 Sec
----------------------------	---------------------

Network Interface-	10 /100 Mbps RJ-45
---------------------------	--------------------

Protocol-	IPv4,TCP/IP, DHCP, HTTP, RTSP,SNTP,DNS
------------------	--

Browser-	Microsoft Internet Explorer 6.0 or above Safari, Chrome or Firefox
-----------------	---

Alarm & Event notification-	Motion Detection E-mail notification or upload file to FTP
--	---

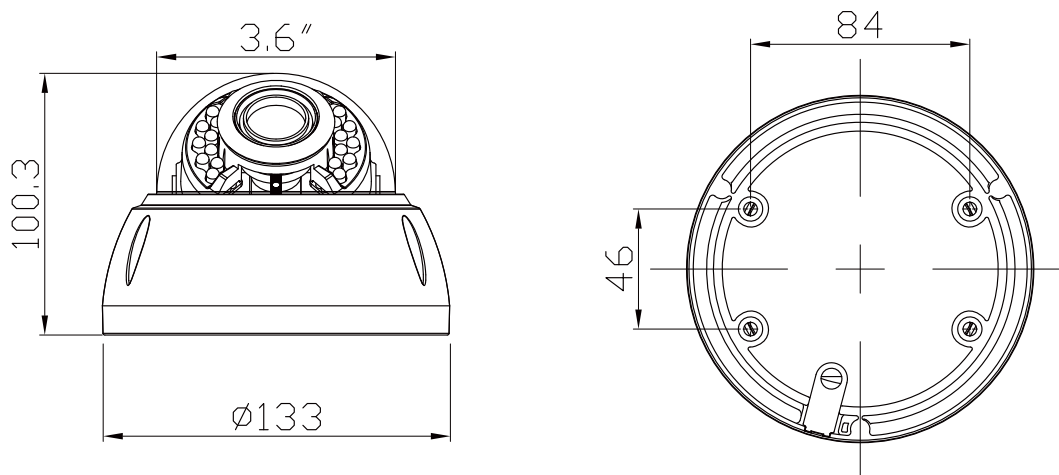
User-	Max. 8 users for live view simultaneously User Authorization
--------------	---

OTA-	OTA for Firmware upgrade
-------------	--------------------------

Version updating is not going to inform, please check the on-going updating information

SPECIFICATIONS

I/O Port-	RJ-45, DC12V
Power-	DC12V or PoE IEEE802.3af Class 0 (optional)
Power Consumption-	3.6W(IR OFF) 、10W(IR ON)
Weight-	N.W. : 1050g
Dimension-	W:Φ135mm H:110mm
Operating Environments-	0 ~ 45 °C



Unit:mm

Version updating is not going to inform, please check the on-going updating information