

# VVG-MDE55A 1080P

## Wearable body camera



DC 5V



H.264



Force



SDcard

(Optional)



GPS



140°



4G

(Functional option)



- > 1CH H.264 FULL HD 1080P with high resolution images
- > Low Lux high sensitivity , wide angle lens 140 degree
- > Based on high-capacity mobile power bank input DC 5V, to achieve long-term video recording
- > Loop video recording ,not cover important events, keep the pictures of the incident
- > Built-in GPS positioning & driving route record available on Google Map while video playback
- > Multi-turn lens clip, suitable for all kinds of angle installation
- > Built-in microphone and LED indicator
- > Good for: military and police law enforcement officers also for mail carriers, security guards, and people-oriented service personnel

## Recorder specifications

---

- Video input-** 1 channel 1080P 5V camera support
- Recording resolution-** Video resolution 1080p  
Recording frame rate 30fps/ch
- Power-** (a) Current consumption 0.95A and power less than 4.75W in condition of DC5V  
(b) Operating Voltage : DC4.75V ~ DC5.25V
- Operation temperature-** Operating Temperature : -20°C ~ 60 °C (In disclosed space)  
Storing temperature : -40°C ~ 85°C
- 
- Storage-** Minimum requirements : SDHC Card Class 10 and capacity of 8GB
- Recording type-** Automatically constant recording after reboot
- Record content-** Image, date and time, sound, touch signal, GPS
- Storage format-** Specific file formats must be played with dedicated playback software
- Voice input-** MIC
- Time setting-** Perpetual calender clock built in
- Output device-** (a) Red light: Red flashing for 2 seconds means recording, 1 second flashing means compulsory recording, fast flashing means firmware update, please do not power off.  
Long red is the device error light  
(b) Blue light: Connecting light, flashing every 2 seconds means searching, steady on means connecting  
(c) Green light: GPS positioning light, flashing every 2 seconds, it means searching, if it is steady on, it means it has been located  
(d) Press and hold the TOUCH PANEL for more than 5 seconds and release it to turn off all indicator lights
- 

Version updating is not going to inform, please check the on-going updating information

## | Recorder specifications

---

- Input device-** (a) Power and signal input line: power supply DC5V input, USB TypeA (power bank)  
(b) Video input: Micro DIN  
(c) Display input: MIC voice input  
(d) SD card slot  
(e) Micro SIM card slot

- Accessory-** (a) power cable  
(b) Camera  
(c) GPS Antenna  
(d) Pocket

## | Camera specifications

---

- Recording Resolution-** NTSC 1920x1080@30fps / PAL 1920x1080@25fps  
**Image Sensor-** 1/2.9" CMOS Digital Image Sensor  
**View Angle-** 140 degrees wide angle  
**Lens-** 2.1 mm  
**Output connector-** Micro din waterproof connector  
**IP Rating-** IP66

---

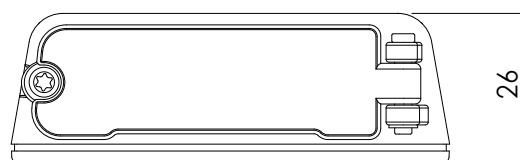
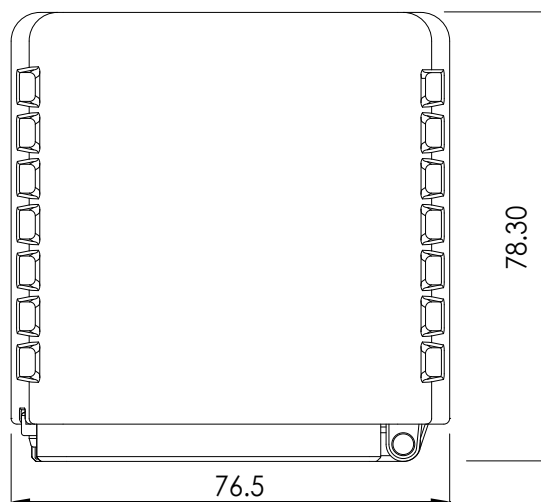
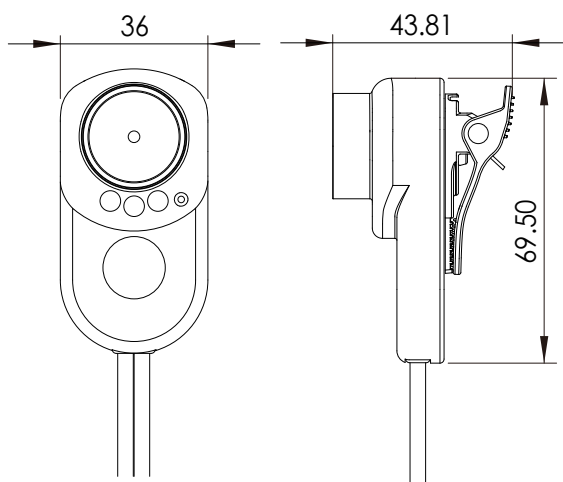
Version updating is not going to inform, please check the on-going updating information

## Appearance description



### Multi-turn lens back clip

The 360-degree rotatable fixing clip allows the secret recorder to be clamped vertically or horizontally, which is suitable for installation at various angles.



Unit: mm

Version updating is not going to inform, please check the on-going updating information

Distributed BY

Head Office: No. 30, Lane 726, Jinma Rd, Sec. 3, Chang Hua City, Taiwan 500. TEL:886-4-751-2881

FUHO TECHNOLOGY CO., LTD.

[www.vacron.com](http://www.vacron.com)