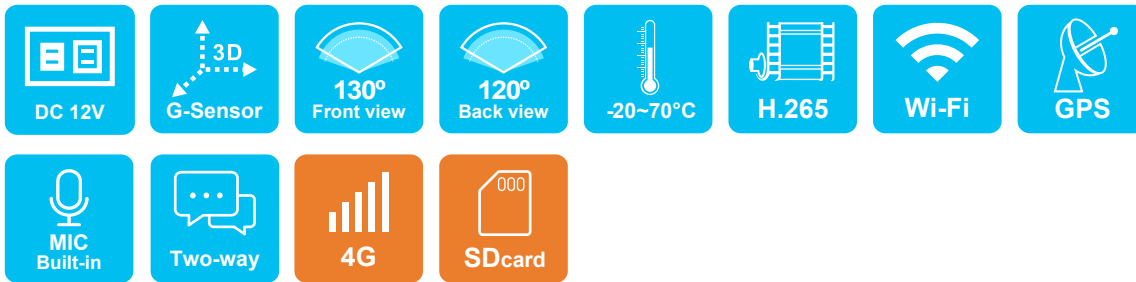


VVH-CBE66 1080P

2CH LTE dashcam



(Optional)



- > Dual camera 1080P recording in car & forward facing condition simultaneously
- > Forward facing view angle approx. 130 degrees. in car view angle approx. 120 degrees.
- > In car camera works day & night mode subject to light condition.
- > Recording driving route footage, audio, G-Sensor and GPS data.
- > Driving route record available on Google Map while video playback.
- > Micro SD memory card Class 10 or above recommended
- > 2 x Micro sd card slot, Max 2 x 512GB
- > 4G LTE on board for remote fleet monitoring and management
- > WIFI on board for live streaming, video download and backup
- > Build-in high sensitivity microphone and speaker supports two way audio communication

SPECIFICATIONS

Accelerometer- Forward facing camera 1080P CMOS Sensor
In car camera 1080P CMOS Sensor

Camera view angle

(Diagonal)- Forward facing camera view angle approx.130°
In car camera view angle approx.120°

Voltage- (a). Active mode: 12V Input, 0.75A
(b). Sleep mode: DC12V input, 2.5mA
(c). Voltage input: DC9V-DC36V

Operating Temperature- -20°C ~70°C

Storage- (a). Class 10 micro-SDHC /SDXC Card 8GB or above recommended.
Otherwise, the recording cannot proceed smoothly
(b). Micro SD slot support 512GB storage max.
Dual storage slot support 1TB

Recording type- Forward facing camera resolution
1920x1080 up to 30fps @ NTSC & 25Fps @PAL
In car camera resolution
1920x1080 up to 30fps @NTSC & 25fps @PAL
Auto record when power up system; In car camera can be closed software.

Record content- Image, date and time, sound, G-sensor, GPS

Recording format- (a). Specific format for software player
(b). H.265 compression

Microphone- built in high sensitive microphone

time setting- Time calibration by GPS built in calendar clock takes over if no GPS signal.

G-Sensor- Internal 3D G-Sensor Accelerometer

Version updating is not going to inform, please check the on-going updating information

SPECIFICATIONS

- 4G LTE-** (a). 4G network module on board
(network module compatibility with local network)
(b). support Global Fleet management

- WIFI-** (a). Built in wifi module (2.4G HZ)
(b). Support wifi AP & P2P Mode
(c). Support APP live view/playback and download
-

- Output/input device-** (a). VIDEO OUT : TV-Out
(1 Vp-p composite video output, 75 ohms)
(b). Force Record Button: For emergency recording.
(Trigger Flash LED)
(c). REC: Recording indicator
(Flash LED means SD Error)
(Lights on means recording)
(d). GPS: Recording indicator
(Flash LED means 3D positioning is not ready)
(Lights on means 3D already positioning)
(e). NET: NET indicator
(Flash LED means Wireless network is not ready)
(Lights on means wireless network already)
(f). WiFi : WiFi indicator
(Flash LED means WIFI network is not ready)
(Lights on means WIFI network already)

- Accessory-** (a). 2 Meter power cable
(b). Bracket holder with 3M adhesive
(c). wrench
(d). Product CD

Version updating is not going to inform, please check the on-going updating information

SPECIFICATIONS

- Explanation-**
- (a). GPS positioning accuracy may be affected by the installation position, sun-screen or weather condition.
 - (b). Automotive front insulation paper with metal components may lead to GPS cannot position.
 - (c). In car camera built in day night auto switch IR cut. , the performance will be effect by light and other environment factor effect.
 - (d). After SD card format by device or PC player, all showing 80.5MB storage space under Windows system, other storage space as hidden files, user have to play video records by professional player that offer by manufacturer.
The restore SD card also have to use the manufacturer player refer to format/restore memory card chapter.

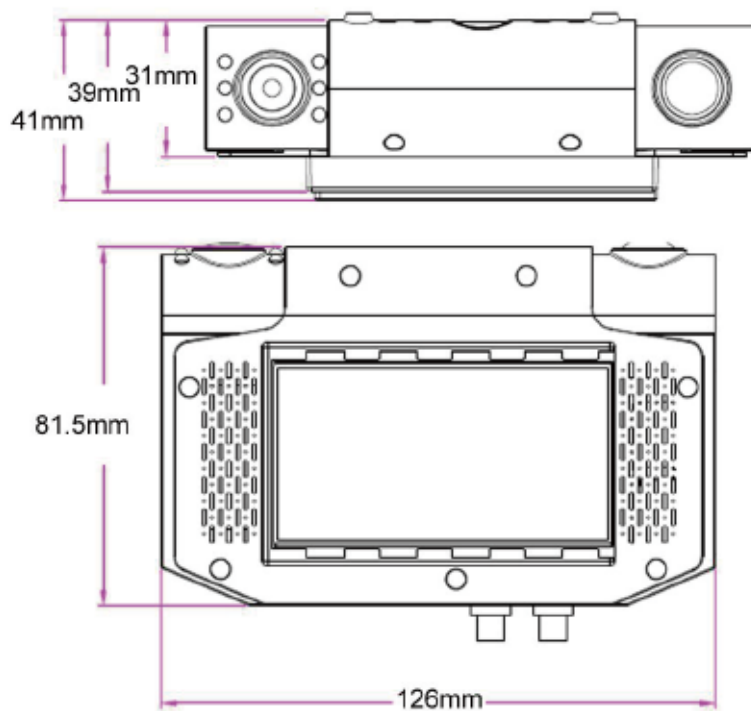
-
- Notice-**
- (a). For ensure clarity of video, install device in the wiper washable area.
 - (b). Before using the memory disk, please format the disk first by the software player. If not, device will automatically erase all data in the memory disk before recording, then recording as default setting.
 - (c). Device wire installation diagram. During the wire installation, avoid set wire on top above GPS, please set wire through device Rear hole to vehicle ceiling to get better GPS signal.
 - (d). Devices video output normally divided into two systems: NTSC or PAL. Ensure using suitable system according to different devices and monitors.

Version updating is not going to inform, please check the on-going updating information

SPECIFICATIONS

(e). Memory card has life limit. For ensure it working correctly, please test the memory card on PC Player regularly.

Optional- 8GB Class 10 above micro SD Card
4G module (EC25 series)



Version updating is not going to inform, please check the on-going updating information