

VVI-933D5 1080P / IP66

IR Speed Dome



- › Support PTZ self-locking, high wind resistance level
- › Support -40°C cold start, can be used in severe cold areas
- › The main aluminum alloy structure design of the gimbal, waterproof grade
- › Strong anti-electromagnetic interference ability, suitable for complex environments such as power industry
- › Video encoding, H265, high compression ratio, good image quality
- › 1080P,1920(H)X1080(V) 30fps ; Image resolution, maximum support 1080P, 1920(H)X1080(V) 30fps
- › Support ONVIF protocol
- › degree continuous rotation horizontally, vertical -15° ~ +90°
- › The maximum horizontal manual speed is 120°/S.
- › Up and down manual speed is up to 90°/S.
- › Preset positions: 255
- › Real-time video and recording can be played through the browser

SPECIFICATIONS

sensor type-	1/2.8" Progressive Scan CMOS
focal length-	4.6-152mm
Minimum illumination-	0.01Lux @(F1.2,AGC ON)color 0.005Lux @(F1.2,AGC ON)black/white
Lens magnification-	times optical zoom, 16 times digital zoom
Field of view-	Horizontal 50.2-2.9 degrees (wide angle-telephoto) Vertical 37.9-2.1 degrees
IR LED Distance-	4pcs High power IR LED over 80 M (Max.) Automatic IR LED distances re-adjust
Day and night conversion mode-	Dual filter switching synchronous image, automatic, color, black and white, timing, threshold control, flip
<hr/>	
Close-up-	10mm-1500mm (wide angle-telephoto)
Focus mode-	Auto/Manual/One-time focus
Exposure mode-	Auto Exposure/Aperture Priority/Shutter Priority /Manual Exposure
Electronic shutter-	1/25~1/100000
White balance-	Auto 1/Auto 2/Indoor/Outdoor/Manual/ Sodium lamp/Fluorescent lamp
Wide dynamic-	Super wide dynamic, automatic wide dynamic, 0-100 digital adjustment
Horizontal range-	360°
Horizontal speed-	0~150°/S
Vertical range-	-15°~+90°
Vertical speed-	0~90°/S

Version updating is not going to inform, please check the on-going updating information

SPECIFICATIONS

Number of preset positions- 255 preset positions

cruise- 8 patrol tracks

scanning- 8 lines

self-study- 8 lines

3D positioning- support

plan- support

Watch over- support

Power failure recovery- support

Telephoto speed limit- support

Dual stream- 1080P/720P+D1/CIF

H.265/H.264

Compression format- 50HZ:25fps(1920x1080) 60HZ:30fps(1920x1080)

50HZ:25fps(1280x720) 60HZ:30fps(1280x720)

Network protocol- TCP/IP、HTTP、DHCP、DNS、DDNS、RTP、RTSP

、PPPoE、SMTP、NTP、UPnP、SNMP、FTP、

802.1x、QoS、HTTPS、(IPv6 Optional)

General function- Password protection, heartbeat,

multi-user access control

Access protocol- ONVIF2.4

Smart function- Motion detection, video blocking,
network disconnection, hard disk error,
IP conflict, disk full

storage- Support MicroSD storage 128G

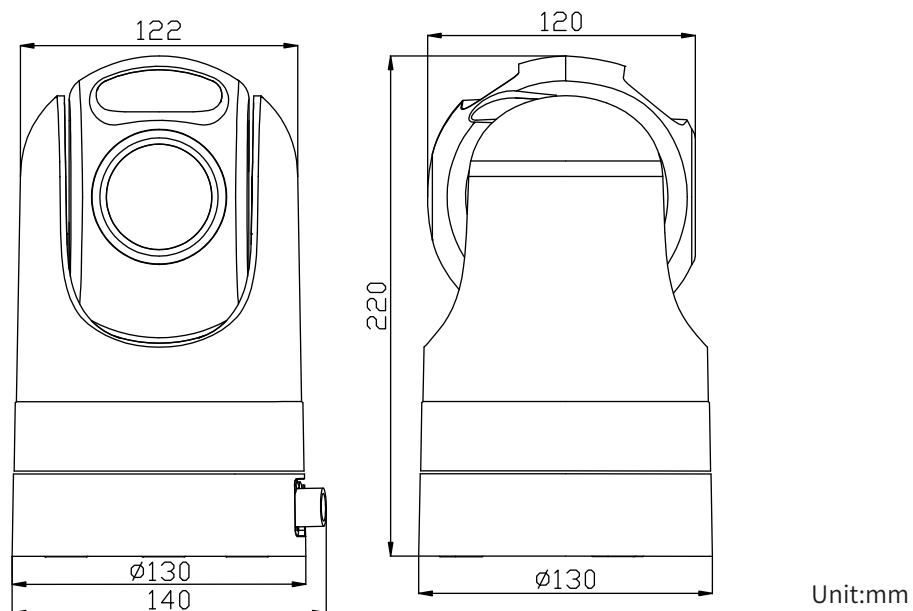
(recommended to use class10)

Audio compression standard- G.711a

Version updating is not going to inform, please check the on-going updating information

SPECIFICATIONS

RS485 control interface-	Support PELCO-P and PELCO-D (additional) protocol
Analog video-	1.0V[p-p] / 75Ω , PAL or NTSC , BNC interface
internet-	10/100M network adaptive, RJ45 adapter
temperature-	-35 - 65°C
humidity-	0~90% (no condensation)
Protection level-	IP66
weight-	3KG
size-	220 (high) × 129 (diameter)
power supply-	DC10.8V-DC18V 2A
power-	25W



Version updating is not going to inform, please check the on-going updating information