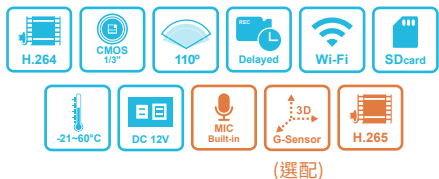


高清 2CH 行車記錄器



產品配件

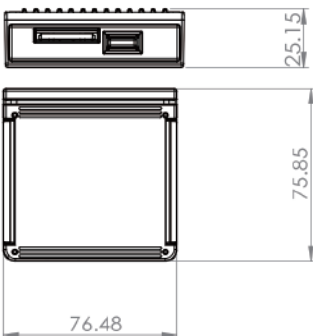
1. DVR 主機
2. 高清攝影機(DC 5V)*2
3. WiFi dongle
4. 電源線
5. 簡易型抬頭顯示器(選配)

選配:

1. 32G/64/128G Class10 以上 SD 卡

產品外觀

主機 單位:mm



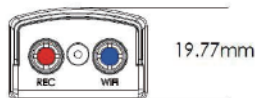
車機線材



- (1) 攝影機連接座 1CH
- (2) 攝影機連接座 2CH
- (3) 電源線連接座
- (4) 簡易型顯示器連接座

備註: 1. 本機使用需搭配專屬行車攝影鏡頭
2. 線材顏色以實際出貨配色為主

簡易型抬頭顯示器 單位:mm



1. 開機/關機
電源啟動, 並等待約20~30秒後, 即開機完成。記錄器開機過程中當REC紅燈會呈現閃爍狀態, 即表示開始錄影。

主機燈號示意

*CAM1指示燈: 燈號顯示為紅色, 無亮表示未偵測到攝影機, 閃爍表示錄影中, 快速閃爍表示觸發事件錄影。

*CAM2指示燈: 燈號顯示為紅色, 無亮表示未偵測到攝影機, 閃爍表示錄影中, 快速閃爍表示觸發事件錄影。

*WiFi指示燈: 燈號顯示為藍色, 無亮燈表示未偵測到WiFi dongle, 恆亮表示連線中。

顯示器燈號示意

*REC指示燈: 燈號顯示為紅色, 無亮表示1CH OR 2CH未偵測到攝影機, 閃爍表示錄影中, 快速閃爍表示觸發事件錄影。

*WiFi指示燈: 燈號顯示為藍色, 無亮燈表示未偵測到WiFi dongle, 恆亮表示連線中。

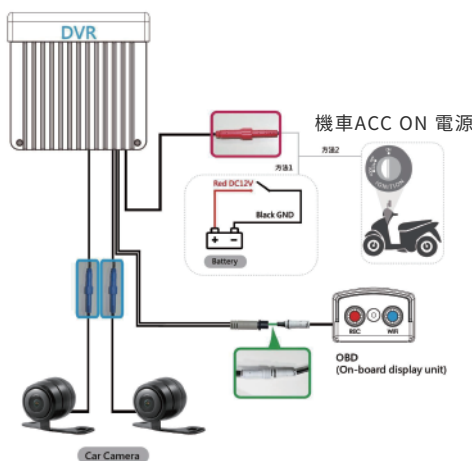
2. 關機/停止錄影
電源關閉後會延遲約3秒鐘才停止錄影, 此時系統將緩衝區回寫至Micro SD卡, 待指示燈熄滅後, 即可取下記憶卡讀取所攝錄之檔案。

注意事項

若無選配抬頭顯示器時, 建議定期檢查與使用電腦播放影像, 確保錄影系統的正常運作。



配線示意圖



方法 1:
連接蓄電池, 接 ON/OFF 開關, 行車記錄器為獨立電源。

方法 2:
行車記錄器連接機車鑰匙孔(ACC ON), 機車啟動時, 機器電源即啟動。

Viewer 介面

*注意事項:

- (a) 要執行此軟體須安裝 DirectX 9.0 以上。
- (b) 支援作業系統: WINDOWS 7、8、10, 不支援 MAC OS。
- (c) 建議的硬體需求: i3 以上等級 2.7GHZ, RAM:4G 以上、有獨立顯示卡更佳。



產品外觀

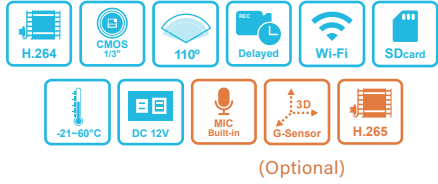
馥鴻摩托 IOS版



馥鴻摩托 ANDROID版



Highest Resolution 2CH Motorbike Video Recorder



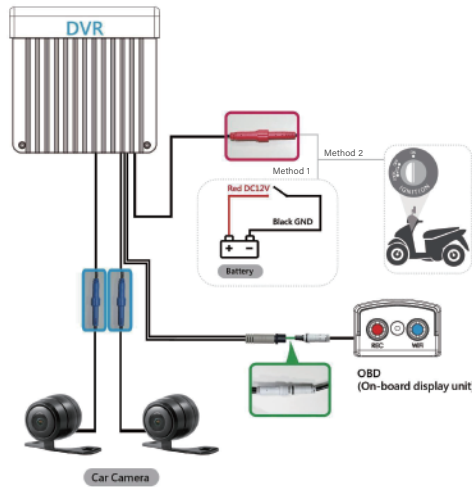
Product Accessories

1. DVR Host
2. Hi-Res Camera*2
3. WiFi dongle
4. Power cable
5. OBD*1(OPTIONAL)

Optional Accessory:

1. SD card, 32/64/128G Class10 or above

DVR installation diagram

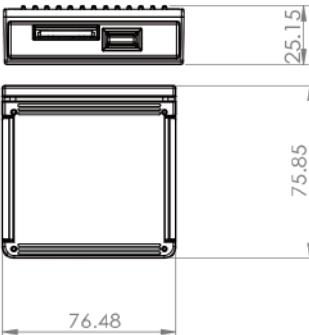


1. Method:
Connect to battery set up Independent power supply

2. Method:
Connect to Motorbike power supply(ACC ON) when engine is on turn on automatically.

Appearance

DVR Unit:mm



DVR Cables

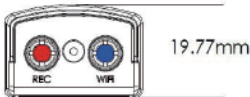


- (1)Camera 1 connector
- (2)Camera 2
- (3)connector
- (4)OBD Connector

Note:

- 1.Please use FHD AHD camera
- 2.The actual color of the wire should be determined when shipped.

OSD



1. Boot / Recording
Device boots after power on and wait approx.20-30 sec. Red light will constantly bright after power on, and then system starts to record when REC red light is flashing.

Host Indicator

***CAM1 indication light:**
as red light, if light off, no cameras detected. If light in flashing, it starts recording. In rapid flashing as triggered for recording instant events.

***CAM2 indication light:**
as red light, if light off, no cameras detected. If light in flashing, it starts recording. In rapid flashing as triggered for recording instant events.

***WiFi indication light:**
as blue light. Light off as no WiFi dongle detected. Light on as connecting to WiFi.

Display signal indicator

***REC indicator:**
as Red light. Light off as 1 CH or 2 CH camera undetected. In flashing as in recording. In rapid flashing, as events trigger recording.

***WiFi indicator:**
as blue light. Light off as WiFi dongle undetected. Light on as connecting to WiFi.

2.Shut off/Stop recording
The DVR will keep recording 3 seconds after power off, at this point, system will write the buffer back to Micro SD card. In addition, after all light turn off, user can remove Micro SD card and get all video files from it.

Attention

For ensure recording system working correctly, please play and check storage files on PC regularly.

Viewer

*Notes:

- To do this, the software should be installed DirectX 9.0 or above.
- Support OS: WINDOWS 7,8,10, does not support MAC OS.
- The recommended hardware requirements: i3 above grade2.7GHZ, RAM: 4G or more, more preferably independent display card.



WiFi Connection

Fuho Moto IOS version



Fuho Moto Android version

